

Qehribar

Product Data Sheet

Cable Glands



Qehribar

Contact



www.qehribar.com



Sales@qehribar.com



+90 542 306 4047



Cable Glands

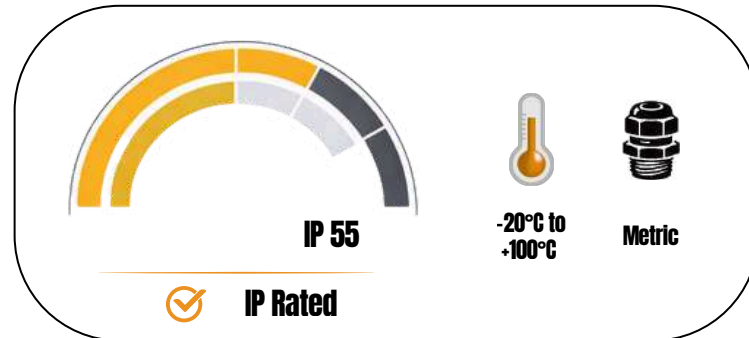
Armored Metallic Brass Cable Gland

Industrial - Metric Size



Product Description

Qehribar Armored Brass Industrial Cable Glands are metric-threaded brass glands developed for the entry and termination of armored cables in industrial and commercial electrical equipment. The range is specified with IP55 protection, an operating temperature range of -20°C to +100°C, and a size schedule from M16x1.5 to M100Lx1.5, making it suitable for heavy-duty cable-entry duties across a broad range of armored-cable sizes. The product category is aligned with EN 62444, IEC 60529, and BS 6121.



Application / Use

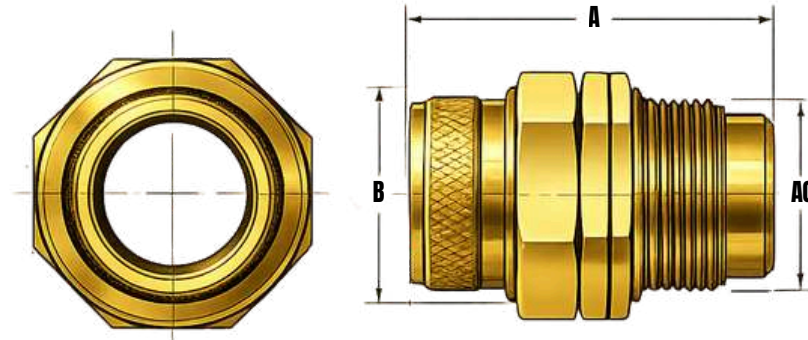
Designed for armored-cable entry into switchboards, control cabinets, utility boards, and heavy-duty electrical enclosures where a brass industrial gland is required for robust service conditions

Features

- Brass body
- For armored cables
- Metric sizes M16x1.5 to M100Lx1.5
- IP55 protection
- Heavy-duty industrial and commercial use
- Operating temperature: -20°C to +100°C
- EN 62444 / IEC 60529 / BS 6121 aligned category

Available Range

Product	Armored Brass Cable Gland
Material	Brass (Nickel Plated)
IP Rating	IP 55
Thread Type	Metric
Operational Temperature	-20°C to +100°C
Seal Material	NBR



Model Selection

Item Code	Type	Thread Size	Max Cable Diameter mm	Length mm	IP Rating
QPC-00002C-000	Metric	M16x1.5	6.1	13.2	IP55
QPC-00002D-000	Metric	M20Sx1.5	6.1	13.2	IP55
QPC-00002E-000	Metric	M20Sx1.5	11	15	IP55
QPC-00002F-000	Metric	M20Lx1.5	15	20	IP55
QPC-00002G-000	Metric	M25x1.5	18	24	IP55
QPC-00002H-000	Metric	M25Lx1.5	20	27	IP55
QPC-00002I-000	Metric	M32Lx1.5	26	33	IP55
QPC-00002J-000	Metric	M40x1.5	31.5	39.5	IP55
QPC-00002K-000	Metric	M40Lx1.5	32	40	IP55
QPC-00002L-000	Metric	M50Sx1.5	38	46	IP55
QPC-00002M-000	Metric	M50Lx1.5	44	53	IP55
QPC-00002N-000	Metric	M63Sx1.5	50	59	IP55
QPC-00002O-000	Metric	M63Lx1.5	58	65	IP55
QPC-00002P-000	Metric	M73Sx1.5	62	71	IP55
QPC-00002Q-000	Metric	M73Lx1.5	68	78	IP55
QPC-00002R-000	Metric	M90Lx1.5	80	91	IP55
QPC-00002S-000	Metric	M100Lx1.5	86	99	IP55