

# Qehribar

## Product Data Sheet

# Cable Glands



# Qehribar

## Contact



[www.qehribar.com](http://www.qehribar.com)



[Sales@qehribar.com](mailto:Sales@qehribar.com)



+90 542 306 4047



# Cable Glands

## Polyamide Cable Gland

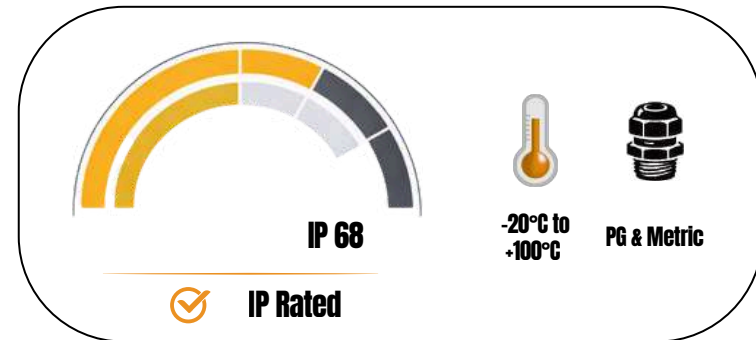
PG and Metric Size

### Product Description

Qehribar Polyamide Cable Glands - PG and Metric Size are threaded cable-entry components designed to seal and secure round cables at the wall of electrical enclosures, junction boxes, and cabinets. Manufactured from PA6 / PA66 polyamide with an NBR sealing element, the range is supplied in PG (DIN 40430) and metric thread versions to support both legacy and modern enclosure-entry standards. According to the file, the PG range is rated IP65 and the metric range is rated IP68. The series covers PG7 to PG48 and M12x1.5 to M63x1.5, with cable ranges from 3.0 mm to 44.0 mm, halogen-free construction, UL94 V-2 classification, and an operating temperature range of -20°C to +100°C.

### Application / Use

Designed for threaded cable entry into electrical enclosures and cabinets, particularly where metric entries are used for new installations and PG entries are required for retrofit compatibility with existing equipment.

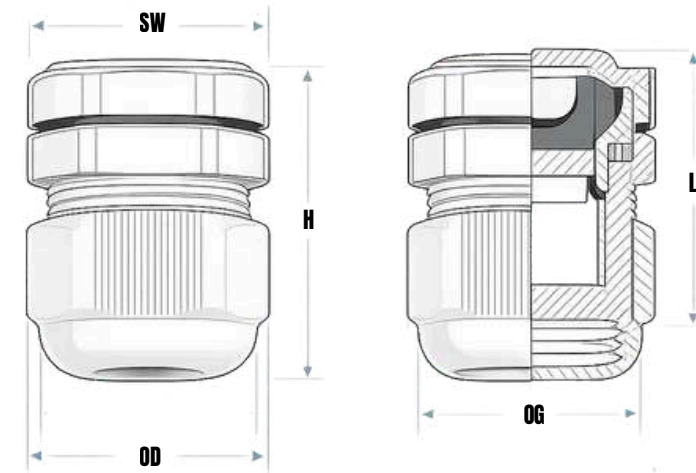


### Features

- PA6 / PA66 polyamide body
- NBR sealing element
- PG and metric thread versions
- IP65 (PG) / IP68 (metric)
- PG7-PG48 and M12x1.5-M63x1.5 sizes
- Cable range 3.0-44.0 mm
- Halogen-free construction
- UL94 V-2 classification
- Operating temperature: -20°C to +100°C

### Available Range

Product	Polyamide Cable Gland - PG & Metric
Material	Polyamide (PA6 / PA66)
IP Rating	IP 65 / IP 68
Thread Type	PG (DIN 40430) & Metric
Operational Temperature	-20°C to +100°C
Seal Material	NBR



### Model Selection

Item Code	Type	Thread Size	Cable Range mm	Length mm	IP Rating
QPC-000000-000	Metric	M12x1.5	3.0 - 6.5	22	IP68
QPC-000001-000	Metric	M16x1.5	5.0 - 10.0	28	IP68
QPC-000002-000	Metric	M20x1.5	6.0 - 12.0	29	IP68
QPC-000003-000	Metric	M25x1.5	13.0 - 18.0	35	IP68
QPC-000004-000	Metric	M32x1.5	18.0 - 25.0	40	IP68
QPC-000005-000	Metric	M40x1.5	22.0 - 32.0	49	IP68
QPC-000006-000	Metric	M50x1.5	30.0 - 38.0	49	IP68
QPC-000007-000	Metric	M63x1.5	34.0 - 44.0	49	IP68
QPC-000008-000	PG	PG7	3.0 - 6.5	22	IP65
QPC-000009-000	PG	PG9	4.0 - 8.0	25	IP65
QPC-00000A-000	PG	PG11	5.0 - 10.0	28	IP65
QPC-00000B-000	PG	PG13.5	6.0 - 12.0	29	IP65
QPC-00000C-000	PG	PG16	10.0 - 14.0	31	IP65
QPC-00000D-000	PG	PG21	13.0 - 18.0	35	IP65
QPC-00000E-000	PG	PG29	18.0 - 25.0	40	IP65
QPC-00000F-000	PG	PG36	22.0 - 32.0	49	IP65
QPC-00000G-000	PG	PG42	30.0 - 38.0	49	IP65
QPC-00000H-000	PG	PG48	34.0 - 44.0	49	IP65