

# Qehribar

## Product Data Sheet

# Enclosures



# Qehribar

## Contact



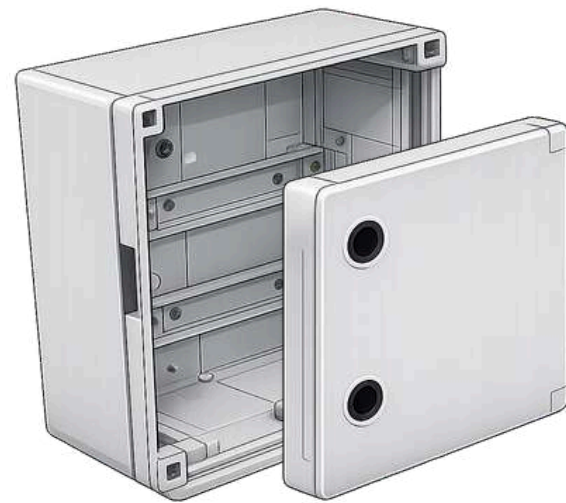
[www.qehribar.com](http://www.qehribar.com)



[Sales@qehribar.com](mailto:Sales@qehribar.com)



+90 542 306 4047



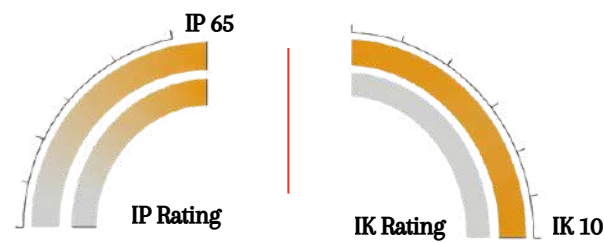
# Enclosures

## Watertight Outdoor Distribution Board

Smoked Transparent and Blank Door

### Product Description

Qehribar Watertight Outdoor Distribution Boards are wall-mounted thermoplastic low-voltage distribution enclosures developed for exterior and weather-exposed service locations. Manufactured from ABS / PC and specified with IP65 ingress protection, up to IK10 impact resistance, UV-resistant and halogen-free construction, and an operating temperature range of -25°C to +60°C, the range is suited to outdoor distribution points requiring dependable protection against dust, water, and site-service impact. Smoked transparent and blank door versions are available to suit either visible inspection of installed devices or a fully closed-front appearance. The product's stated conformity to IEC 61439-3 supports its positioning as an outdoor low-voltage distribution board.



### Application / Use

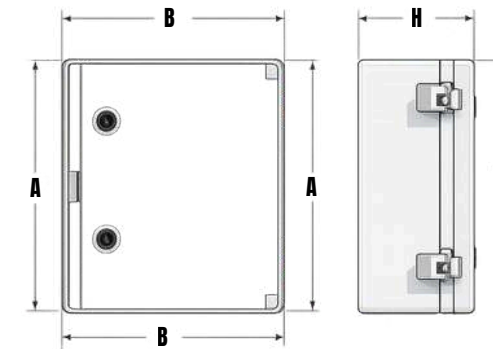
Designed for wall-mounted outdoor LV distribution, including external branch-distribution points, building-services interfaces, lighting and utility circuits, and other weather-exposed installations where an IP65 distribution enclosure with optional visible front access is required.

### Features

- Outdoor wall-mounted ABS / PC distribution enclosure
- IP65 protection
- Up to IK10 impact resistance
- Smoked transparent or blank door
- UV-resistant and halogen-free construction
- IEC 61439-3 aligned
- Operating temperature: -25°C to +60°C

### Available Range

Product	Wall Mounted
Material	ABS / PC
IP Rating	IP 65
IK Rating	Up to IK 10
Installation	Wall Mounted
Operational Temperature	-25°C to +60°C
Cover Option	Blank and Transparent



### Model Selection

Item Code	Door Type	Material	Dimension mm	IP Rating
QPE-0002K-000	Blank	ABS	180x240x120	IP65
QPE-0002L-000	Blank	ABS	210x280x130	IP65
QPE-0002M-000	Blank	ABS	250x300x140	IP65
QPE-0002N-000	Blank	ABS	250x330x130	IP65
QPE-0002O-000	Blank	ABS	250x350x150	IP65
QPE-0002P-000	Blank	ABS	300x350x165	IP65
QPE-0002Q-000	Blank	ABS	300x400x165	IP65
QPE-0002R-000	Blank	ABS	300x400x195	IP65
QPE-0002S-000	Blank	ABS	350x500x195	IP65
QPE-0002T-000	Blank	ABS	400x500x175	IP65
QPE-0002U-000	Blank	ABS	400x500x245	IP65
QPE-0002V-000	Blank	ABS	400x600x200	IP65
QPE-0002W-000	Blank	ABS	500x700x245	IP65
QPE-0002X-000	Blank	ABS	500x700x245	IP65
QPE-0002Y-000	Blank	ABS	500x600x210	IP65
QPE-0002Z-000	Blank	ABS	600x800x260	IP65
QPE-00031-000	Transparent	ABS	180x240x120	IP65
QPE-00032-000	Transparent	ABS	210x280x130	IP65
QPE-00033-000	Transparent	ABS	250x300x140	IP65
QPE-00034-000	Transparent	ABS	250x330x130	IP65
QPE-00035-000	Transparent	ABS	250x350x150	IP65
QPE-00036-000	Transparent	ABS	300x350x165	IP65
QPE-00037-000	Transparent	ABS	300x400x165	IP65
QPE-00038-000	Transparent	ABS	300x400x195	IP65
QPE-00039-000	Transparent	ABS	350x500x195	IP65
QPE-0003A-000	Transparent	ABS	400x500x175	IP65
QPE-0003B-000	Transparent	ABS	400x500x245	IP65
QPE-0003C-000	Transparent	ABS	400x600x200	IP65
QPE-0003D-000	Transparent	ABS	500x700x245	IP65
QPE-0003F-000	Transparent	ABS	500x600x230	IP65
QPE-0003G-000	Transparent	ABS	600x800x265	IP65