

Qehribar

Product Data Sheet

Junction Box



Qehribar

Contact



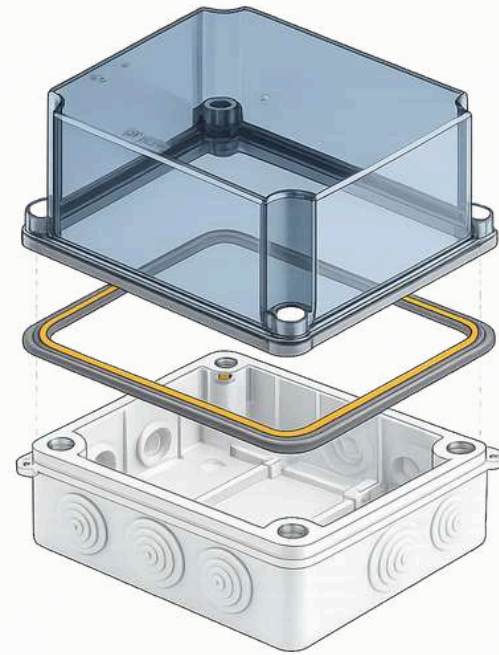
www.qehribar.com



Sales@qehribar.com



+90 542 306 4047



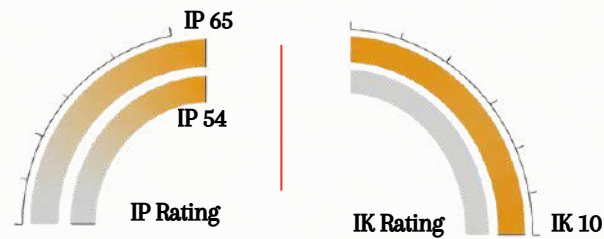
JUNCTION BOX

Surface Mounted ABS Junction Box

Transparent Cover - Grommet Cable Entry

Product Description

Qehribar Surface Mounted ABS-PC Junction Boxes with transparent cover and grommet cable entry are engineered for enclosure of LV and ELV components requiring both direct visual accessibility and sealed cable entry. The transparent screw-fixed cover enables routine inspection of internal devices, terminals, and indication elements without opening the enclosure, while the grommet entry system supports practical cable insertion with dependable sealing performance. The range is offered in IP54 and IP65 versions with impact resistance up to IK10, UV-resistant and halogen-free construction, UL94 V-0 flammability classification, and an operating temperature range of -25°C to +60°C.



Application / Use

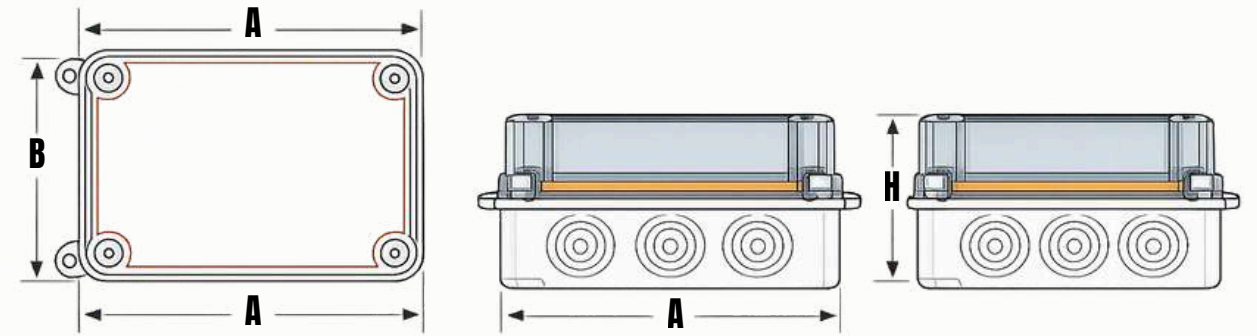
Designed for surface-mounted junction, terminal, and compact control enclosures where internal visibility, sealed cable passage, and dependable environmental protection are required.

Features

- ABS-PC body
- Transparent screw-fixed cover
- Grommet cable entry
- IP54 / IP65 options
- Up to IK10 impact resistance
- UV-resistant, halogen-free, UL94 V-0 construction
- Operating temperature: -25°C to +60°C

Available Range

Product	Surface Mounted ABS
Material	ABS
IP Rating	IP 54 / IP 65
IK Rating	Up to IK 10
Cable Entry	Grommet
Installation	Surface Mounted
Operational Temperature	-25°C to +60°C
Cover Type	Transparent
Cover Fixing	Screw



Model Selection

Item Code	Material	Dimension	IP Rating	Cable Entry	Cover
		mm			
QPJ-00002I-000	ABS-PC	150x110x70	IP54	Grommet	Transparent
QPJ-00002J-000	ABS-PC	150x150x70	IP54	Grommet	Transparent
QPJ-00002K-000	ABS-PC	150x110x70	IP65	Grommet	Transparent
QPJ-00002L-000	ABS-PC	150x150x70	IP65	Grommet	Transparent
QPJ-00002M-000	ABS-PC	190x145x80	IP65	Grommet	Transparent
QPJ-00002N-000	ABS-PC	250x200x90	IP65	Grommet	Transparent
QPJ-00002O-000	ABS-PC	310x230x130	IP65	Grommet	Transparent
QPJ-00002P-000	ABS-PC	400x480x140	IP65	Grommet	Transparent
QPJ-00002Q-000	ABS-PC	150x110x140	IP54	Grommet	Transparent
QPJ-00002R-000	ABS-PC	190x145x160	IP54	Grommet	Transparent
QPJ-00002S-000	ABS-PC	250x200x160	IP65	Grommet	Transparent
QPJ-00002T-000	ABS-PC	310x230x180	IP65	Grommet	Transparent