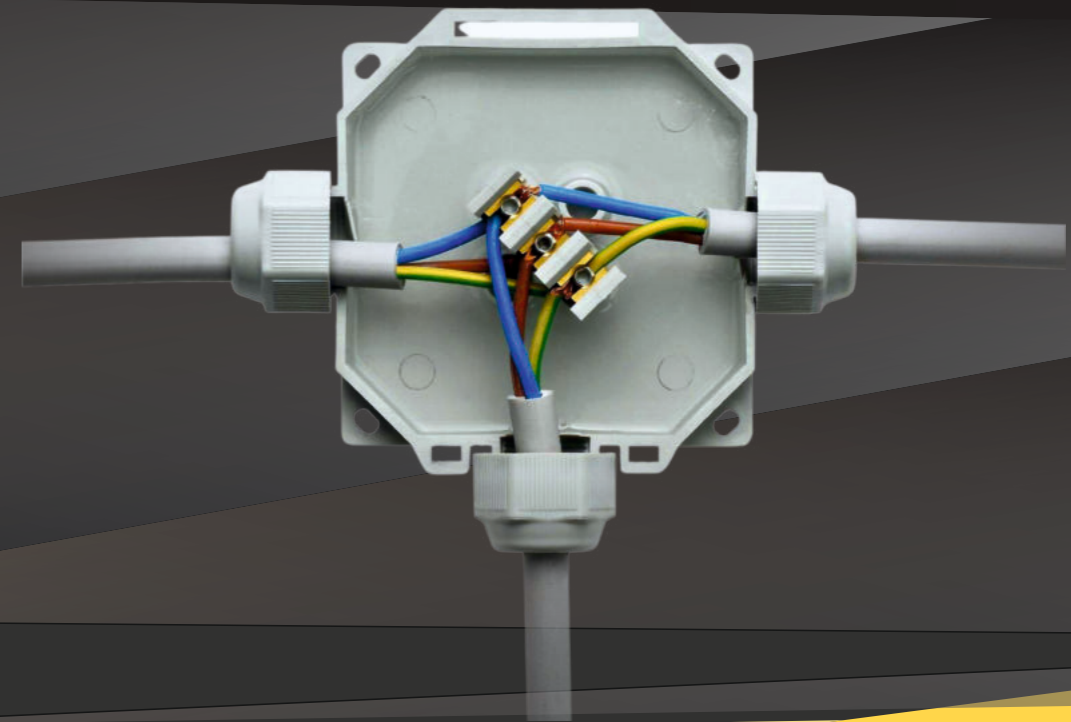


a totalien brand

# Qehribar

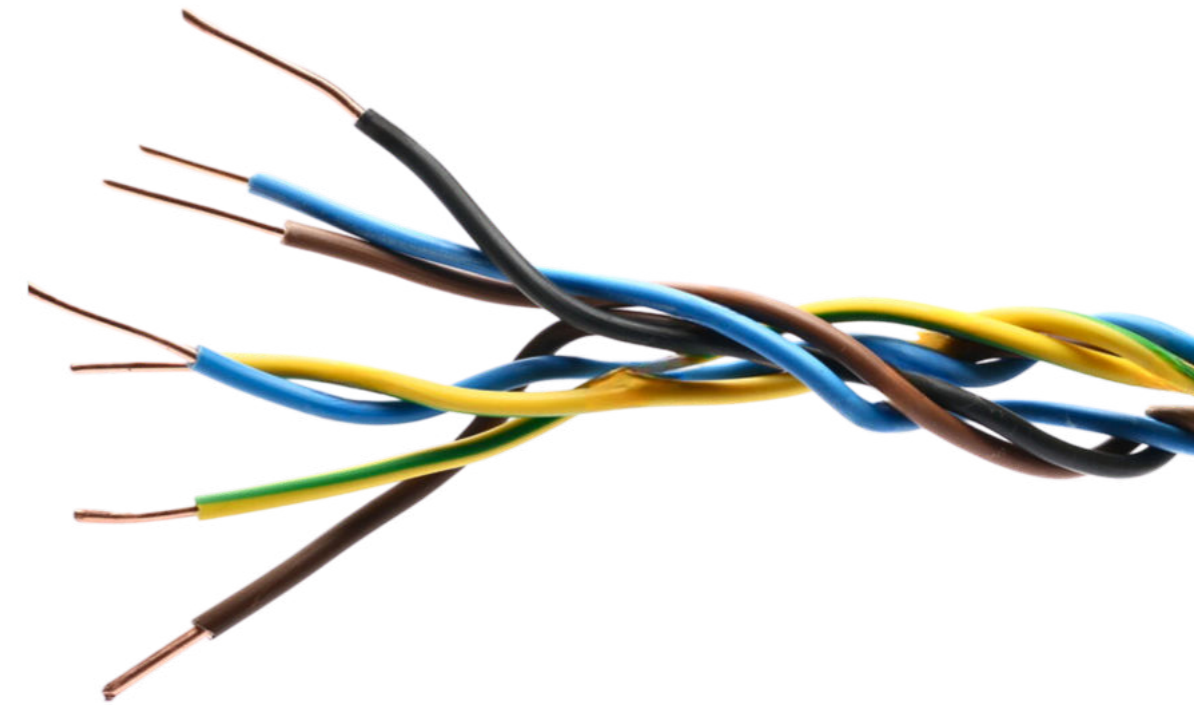


[www.qehribar.com](http://www.qehribar.com)



[sales@qehribar.com](mailto:sales@qehribar.com)

Powering Connections  
Uniting Worlds with **QEHRIBAR**



## COMPANY PROFILE

### About us

Qehribar trademark under Totalien company is a manufacturer of almost all kind of Junction Boxes and Enclosures, Cable Glands, and Cable Grabs as well as handling the electrical problems which require specific design/solutions.

Client focused Quality Management principles and the studies with common business/product development activities are basics of Totalien/Qehribar to fulfill customer satisfaction.

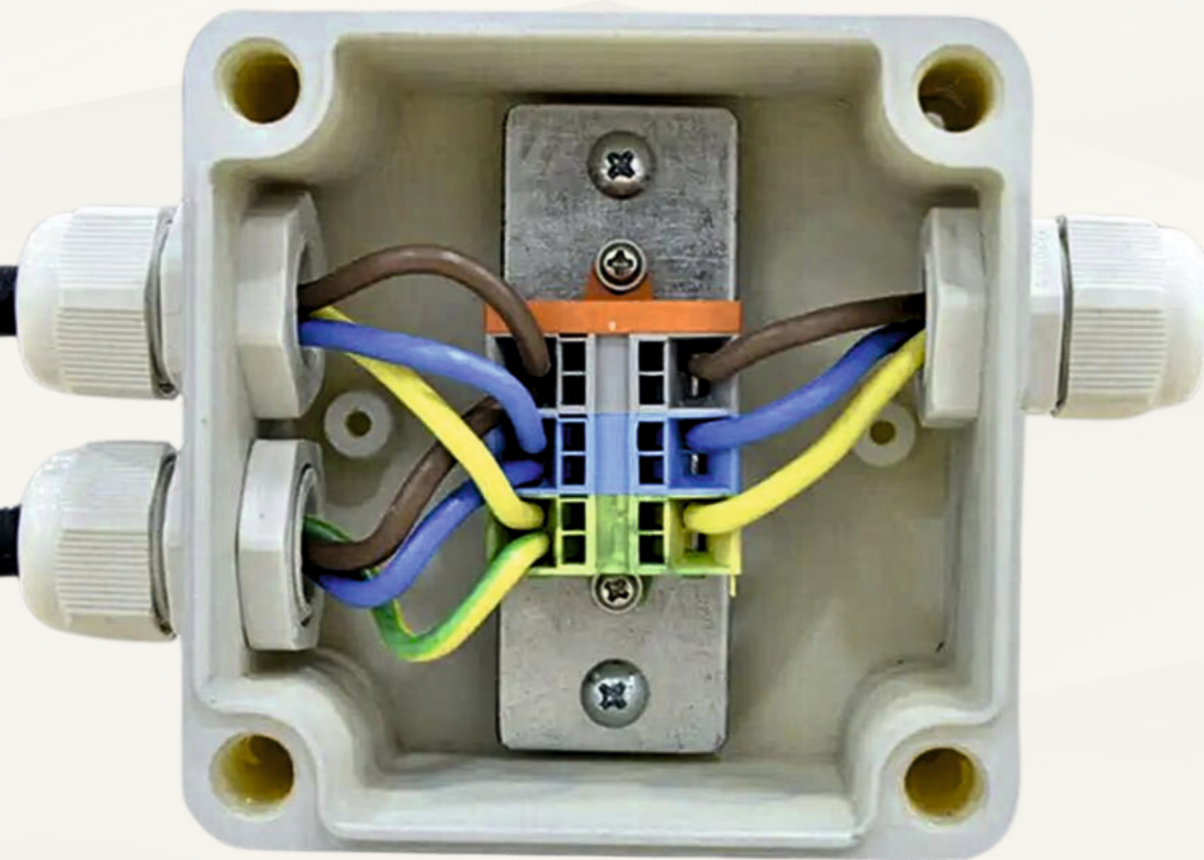
Totalien/Qehribar organization follows any customer request starting from initiation up to the end, covering quotation, delivery follow up. Totalien can deliver the goods to customer's warehouse, project site or anywhere that customer requests with optional delivery terms such as CIF, DAP, DDP, EXWORK. We gladly support our valuable customers at their projects with our high-quality services.

### Our Scope

ABS/metallic junction boxes and enclosures having mechanical, chemical, thermal, dustproof, waterproof and impact resistance with ingress protection degree of up to IP 67.

Gland manufacturing covers polyamide glands, brass glands, nickel-plated glands and stainless-steel glands for industrial and ex-proof applications.

Cable Grab, which is used to grab electrical cables for cable laying, is designed (patent owner) by Totalien/Qehribar. Unique manufacturer of the Cable Grab on the world is Qehribar.



**JUNCTION BOXES**

- 1.**  
Surface Mounted  
ABS Opaque  
Blank Cable Entry  
IP54
- 2.**  
Surface Mounted  
ABS Opaque  
Knock - out Cable Entry
- 3.**  
Surface Mounted  
ABS Opaque  
Cable Entry with Grommet  
IP54
- 4.**  
Surface Mounted  
ABS Transparent  
Blank Cable Entry
- 5.**  
Surface Mounted  
ABS Transparent  
Knock-out Cable
- 6.**  
Surface Mounted  
ABS Transparent  
Cable Entry with Grommet
- 7/8.**  
Flush Mounted,  
ABS Blank  
Cable Entry

**ENCLOSURES**

- 11.**  
Flush Mounted ABS  
White / Smocked Transparent  
Cover and Blank Cover
- 12.**  
Surface Mounted Metallic  
White Transparent Cover  
or Blank Cover
- 13.**  
Surface Mounted ABS  
White / Smocked Transparent  
Cover and Blank Cover
- 14.**  
Benefit Series,  
Surface Mounted PC
- 15.**  
Benefit Series,  
Flush Mounted PC
- 16.**  
Watertight Outdoor  
Distribution Board/  
Smoked Transparent  
and Blank Door
- 17.**  
Watertight Outdoor  
Distribution Board with Roof  
Blank and Transparent Door
- 18.**  
Watertight Outdoor  
Distribution Board  
with DIN Rail  
Blank and Transparent Door
- 19.**  
Watertight Utility  
Board/General Purpose,  
Construction Site and  
Monophase/Three-phase Metering
- 20.**  
Industrial Utility Board  
Plain

**CABLE GLAND**

- 23.**  
Polyamide Gland /  
PC and Metric Size
- 24.**  
Metallic(Brass)  
Cable Gland(Metric Size) /  
Standard & Long Thread
- 25.**  
Metallic (Brass)  
Cable Gland (PG Size)/  
Standard & Long Thread
- 26.**  
Metallic ( Stainless Steel)  
Cable Gland (Metric Size)  
and (PG Size)
- 27.**  
Oversize Metallic (Brass)  
Cable Gland (Metric Size)
- 28.**  
Armored Metallic (Brass)  
Cable Gland (Metric Size)

**CABLE GRAB**

- 11.**  
Standard Circular Cable Grab



# JUNCTION BOXES

## Description

Waterproof and weatherproof junction boxes are the good solution to achieve connection at outdoor as well as indoor applications. Junction boxes made from ABS (Acrylonitrile Butadiene Styrene) with polycarbonate and polyester covers offer a variety of waterproof IP ratings. Blank, Knockout type and Grommet type cable entry boxes are available in many dimensions to cover industrial, domestic, and hazardous zone applications.

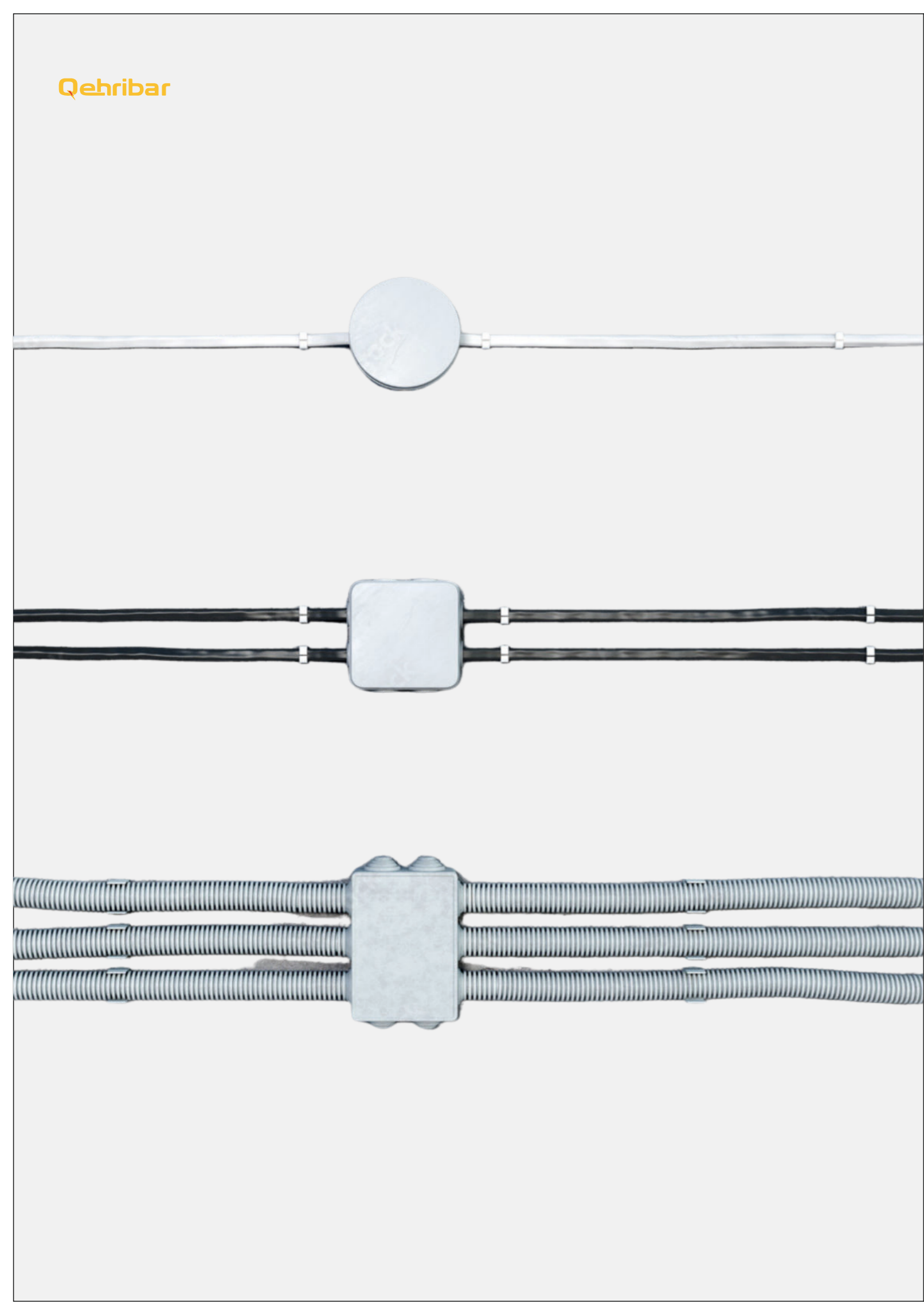
ABS material performance characteristic has good rigidity, high impact resistance, chemical resistance, and mechanical strength and typical electrical properties like insulation.

Junction boxes made of metal sheet or stainless steel usually applicable at outdoor or high mechanical damage risk or fire risk areas. Metallic junction boxes are protected against corrosion by proper painting.

## Features

- Made of high-quality ABS-Polycarbonate and Polyester, anticorrosive, anti-static flame-retardant material.
- Good sealing performance ensures waterproof level.
- Anti-aging material having long term service life even outdoor.
- Completely non-toxic.
- Good insulation for electrical safety.
- High mechanical strength.
- Strongly corrosion resistant.
- Wide operational temperature range.
- Lightweight material
- Metallic and stainless-steel junction boxes have high mechanical strength against crash.
- Metallic and stainless-steel junction boxes are very high fire-resistant materials or excessive ambient temperatures

Material	Cover Fixing	Cover Transparency	Cable Gland Entry	Shape	Operational Ambient Temperature	Installation	Typical Applications	Ingress Protection	Impact Resistance
ABS, Stainless - Steel	Press-Fit, Screw Type	Opaque, Transparent	Blank, Knock Out Perforated	Circular, Square, Restangular	-25 °C to + 60 °C	Flush-Mounted Surface Mounted	LV (Electrical), ELV (Electronics)	Up to IP67	Up to IK 10

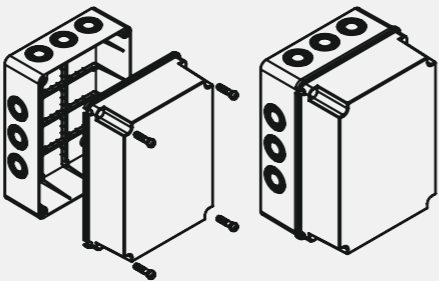
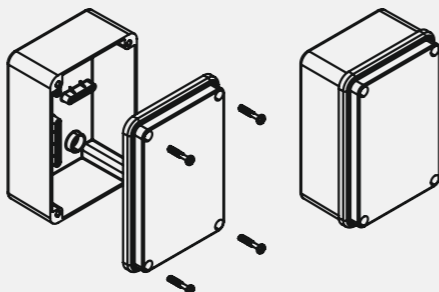
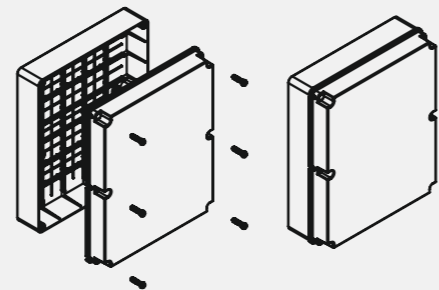


## Surface Mounted ABS Opaque Blank Cable Entry / IP54

### Description

Our junction boxes with ABS opaque covers and blank cable entry are designed for customizable and durable electrical installations in industrial applications as indoor and outdoor settings.

They provide extra protection to components and can be customized for cable entry points to meet site requirements. Made of high-quality materials, they withstand harsh environmental conditions and are easy to install and modify.



Surface Mounted, ABS Opaque, Blank Cable Entry - IP54

Item Code	Raw Material	Dimension	Ingress Protection	Cable Entry	Cover
QPJ-000000-000	ABS	80x120x50	IP54	Blank	Opaque
QPJ-000001-000	ABS	100x100x50	IP54	Blank	Opaque
QPJ-000002-000	ABS	150x150x70	IP54	Blank	Opaque
QPJ-000003-000	ABS	110x110x70	IP54	Blank	Opaque
QPJ-000004-000	ABS	150x110x70	IP54	Blank	Opaque
QPJ-000005-000	ABS	130x230x85	IP54	Blank	Opaque
QPJ-000006-000	ABS	130x350x85	IP54	Blank	Opaque
QPJ-000007-000	ABS	130x460x85	IP54	Blank	Opaque
QPJ-000008-000	ABS	80x120x120	IP54	Blank	Opaque
QPJ-000009-000	ABS	100x100x120	IP54	Blank	Opaque
QPJ-00000A-000	ABS	150x110x140	IP54	Blank	Opaque
QPJ-00000B-000	ABS	230x125x120	IP54	Blank	Opaque

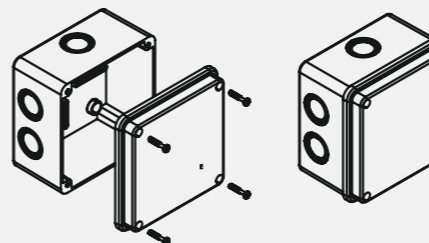
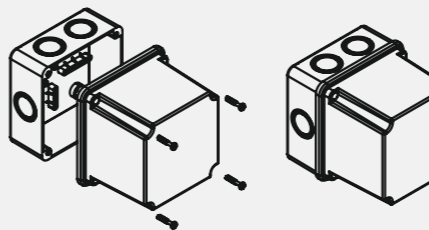
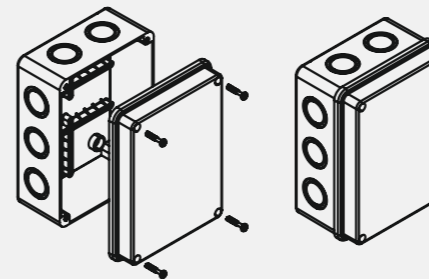
Surface Mounted, ABS Opaque, Blank Cable Entry - IP67

Item Code	Raw Material	Dimension	Ingress Protection	Cable Entry	Cover
QPJ-00000C-000	ABS	190x145x80	IP67	Blank	Opaque
QPJ-00000D-000	ABS	250x200x90	IP67	Blank	Opaque
QPJ-00000E-000	ABS	310x230x130	IP67	Blank	Opaque
QPJ-00000F-000	ABS	400x300x130	IP67	Blank	Opaque
QPJ-00000G-000	ABS	480x400x140	IP67	Blank	Opaque
QPJ-00000H-000	ABS	190x145x140	IP67	Blank	Opaque
QPJ-00000I-000	ABS	250x200x160	IP67	Blank	Opaque
QPJ-00000J-000	ABS	310x230x180	IP67	Blank	Opaque

## Surface Mounted ABS Opaque Knock - out Cable Entry

### Description

Our surface-mounted junction boxes with ABS opaque covers and knock-out cable entry provide an easy-to-use solution for electrical installations in industrial and outdoor settings. The knock-out cable entry points make it simple to create entry points for specific gland fittings, while the opaque cover provides additional protection to the components within the box. Made of high-quality and durable materials, these junction boxes are built to withstand harsh environmental conditions.



Surface Mounted, ABS Opaque, Knock-out Cable Entry - IP44

Item Code	Raw Material	Dimension	Ingress Protection	Cable Entry	Cover
QPJ-00000K-000	ABS	70x40	IP44	Knock-out	Opaque
QPJ-00000L-000	ABS	85x45	IP44	Knock-out	Opaque
QPJ-00000M-000	ABS	80x80x40	IP44	Knock-out	Opaque

Surface Mounted, ABS Opaque, Knock-out Cable Entry - IP54

Item Code	Raw Material	Dimension	Ingress Protection	Cable Entry	Cover
QPJ-00000N-000	ABS	80x120x50	IP54	Knock-out	Opaque
QPJ-00000O-000	ABS	100x100x50	IP54	Knock-out	Opaque
QPJ-00000P-000	ABS	150x110x70	IP54	Knock-out	Opaque
QPJ-00000Q-000	ABS	150x150x70	IP54	Knock-out	Opaque
QPJ-00000R-000	ABS	190x145x80	IP54	Knock-out	Opaque
QPJ-00000S-000	ABS	80x120x120	IP54	Knock-out	Opaque
QPJ-00000T-000	ABS	100x100x120	IP54	Knock-out	Opaque
QPJ-00000U-000	ABS	150x110x140	IP54	Knock-out	Opaque

Surface Mounted, ABS Opaque, Knock-out Cable Entry - IP55

Item Code	Raw Material	Dimension	Ingress Protection	Cable Entry	Cover
QPJ-00000V-000	ABS	90x43x40	IP55	Knock-out	Opaque
QPJ-00000W-000	ABS	75x75x40	IP55	Knock-out	Opaque
QPJ-00000X-000	ABS	85x85x40	IP55	Knock-out	Opaque

Surface Mounted, ABS Opaque, Knock-out Cable Entry - IP67

Item Code	Raw Material	Dimension	Ingress Protection	Cable Entry	Cover
QPJ-00000Y-000	ABS	80x120x50	IP67	Knock-out	Opaque
QPJ-00000Z-000	ABS	100x100x50	IP67	Knock-out	Opaque
QPJ-000010-000	ABS	150x110x70	IP67	Knock-out	Opaque
QPJ-000011-000	ABS	150x150x70	IP67	Knock-out	Opaque
QPJ-000012-000	ABS	190x145x80	IP67	Knock-out	Opaque
QPJ-000013-000	ABS	80x120x120	IP67	Knock-out	Opaque
QPJ-000014-000	ABS	110x110x70	IP67	Knock-out	Opaque
QPJ-000015-000	ABS	250x200x90	IP67	Knock-out	Opaque
QPJ-000016-000	ABS	310x230x130	IP67	Knock-out	Opaque
QPJ-000017-000	ABS	100x100x120	IP67	Knock-out	Opaque
QPJ-000018-000	ABS	150x110x140	IP67	Knock-out	Opaque
QPJ-000019-000	ABS	190x145x140	IP67	Knock-out	Opaque
QPJ-00001A-000	ABS	250x200x160	IP67	Knock-out	Opaque
QPJ-00001B-000	ABS	310x230x180	IP67	Knock-out	Opaque

## Surface Mounted ABS Opaque Cable Entry with Grommet / IP54

### Description

Junction boxes with surface-mounting capability, ABS opaque covers, and cable entry with grommet are ideal for electrical installations in a range of environments. The opaque cover provides an additional layer of protection for the components contained within, while the grommet ensures a secure and dependable seal for the cable entry point. Constructed from top-tier, resilient materials, these junction boxes can withstand harsh environmental conditions and are versatile enough to be effortlessly installed and tailored to the specific needs of the electrical installation.

#### Surface Mounted, ABS Opaque, Cable Entry with Grommet - IP44

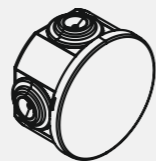
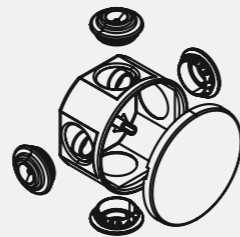
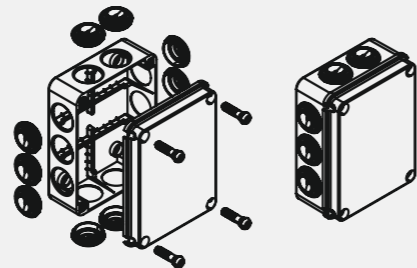
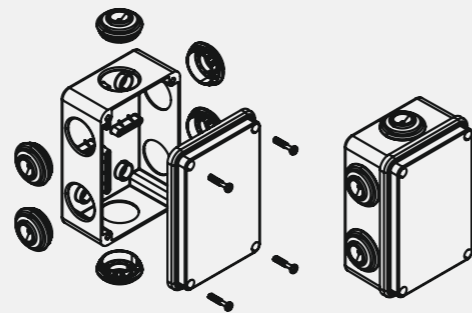
Item Code	Raw Material	Dimension	Ingress Protection	Cable Entry	Cover
QPJ-00001C-000	ABS	70x40	IP44	Grommet	Opaque
QPJ-00001D-000	ABS	85x45	IP44	Grommet	Opaque
QPJ-00001E-000	ABS	80x80x40	IP44	Grommet	Opaque

#### Surface Mounted, ABS Opaque, Cable Entry with Grommet - IP54

Item Code	Raw Material	Dimension	Ingress Protection	Cable Entry	Cover
QPJ-00001F-000	ABS	80x120x50	IP54	Grommet	Opaque
QPJ-00001G-000	ABS	100x100x50	IP54	Grommet	Opaque
QPJ-00001H-000	ABS	110x110x70	IP54	Grommet	Opaque
QPJ-00001I-000	ABS	150x110x70	IP54	Grommet	Opaque
QPJ-00001J-000	ABS	150x150x70	IP54	Grommet	Opaque
QPJ-00001K-000	ABS	80x120x120	IP54	Grommet	Opaque
QPJ-00001L-000	ABS	100x100x120	IP54	Grommet	Opaque
QPJ-00001M-000	ABS	150x110x140	IP54	Grommet	Opaque

#### Surface Mounted, ABS Opaque, Cable Entry with Grommet - IP65

Item Code	Raw Material	Dimension	Ingress Protection	Cable Entry	Cover
QPJ-00001N-000	ABS	190x145x80	IP65	Grommet	Opaque
QPJ-00001O-000	ABS	250x200x90	IP65	Grommet	Opaque
QPJ-00001P-000	ABS	310x230x130	IP65	Grommet	Opaque
QPJ-00001Q-000	ABS	400x480x120	IP65	Grommet	Opaque
QPJ-00001R-000	ABS	190x145x140	IP65	Grommet	Opaque
QPJ-00001S-000	ABS	250x200x160	IP65	Grommet	Opaque
QPJ-00001T-000	ABS	310x230x180	IP65	Grommet	Opaque



## Surface Mounted ABS Transparent Blank Cable Entry

### Description

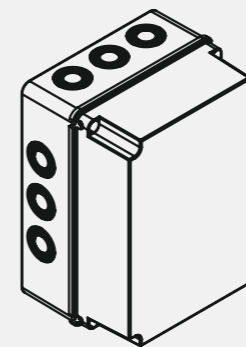
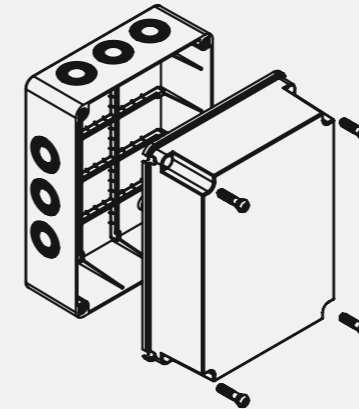
This junction box is intended for use in industrial and outdoor environments and is constructed using high-quality ABS material, providing durability in challenging conditions. A transparent cover enables quick and easy inspection of the internal components or observation of indicators without having to open it, and a blank cable entry design allows for flexible cable entry positioning. The IP rating protects against dust and water ingress.

#### Surface Mounted, ABS Transparent, Blank Cable Entry - IP54

Item Code	Raw Material	Dimension	Ingress Protection	Cable Entry	Cover
QPJ-00001U-000	ABS-PC	150x150x70	IP54	Knock-out	Transparent
QPJ-00001V-000	ABS-PC	150x110x140	IP54	Knock-out	Transparent

#### Surface Mounted, ABS Transparent, Blank Cable Entry - IP67

Item Code	Raw Material	Dimension	Ingress Protection	Cable Entry	Cover
QPJ-00001W-000	ABS-PC	150x150x70	IP67	Knock-out	Transparent
QPJ-00001X-000	ABS-PC	150x110x70	IP67	Knock-out	Transparent
QPJ-00001Y-000	ABS-PC	190x145x80	IP67	Knock-out	Transparent
QPJ-00001Z-000	ABS-PC	250x200x90	IP67	Knock-out	Transparent
QPJ-000020-000	ABS-PC	310x230x130	IP67	Knock-out	Transparent
QPJ-000021-000	ABS-PC	400x300x130	IP67	Knock-out	Transparent
QPJ-000022-000	ABS-PC	400x480x140	IP67	Knock-out	Transparent
QPJ-000023-000	ABS-PC	150x110x140	IP67	Knock-out	Transparent
QPJ-000024-000	ABS-PC	190x145x160	IP67	Knock-out	Transparent
QPJ-000025-000	ABS-PC	250x200x160	IP67	Knock-out	Transparent
QPJ-000026-000	ABS-PC	310x230x180	IP67	Knock-out	Transparent



## Surface Mounted ABS Transparent Knock-out Cable

### Description

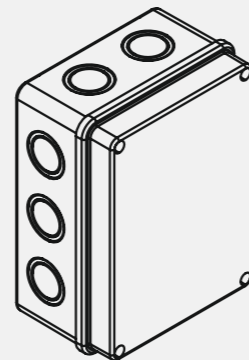
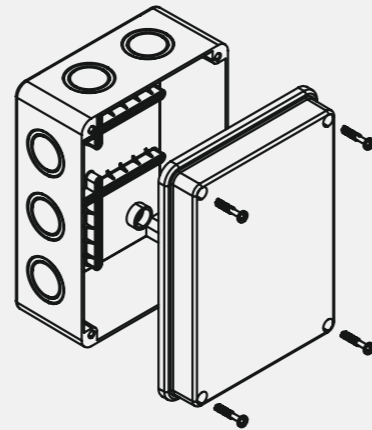
Made from premium ABS material, it is engineered to withstand harsh conditions and provide long-lasting performance. Its transparent cover allows for quick and easy inspection of the internal components, while the knock-out cable entry design enables convenient cable routing. With their IP rating, this junction box is fully protected against dust and water ingress, making it ideal for use in challenging settings.

#### Surface Mounted, ABS Transparent, Knock-out Cable Entry - IP54

Item Code	Raw Material	Dimension	Ingress Protection	Cable Entry	Cover
QPJ-000027-000	ABS-PC	150x150x70	IP54	Knock-out	Transparent
QPJ-000028-000	ABS-PC	150x110x140	IP54	Knock-out	Transparent

#### Surface Mounted, ABS Transparent, Knock-out Cable Entry - IP67

Item Code	Raw Material	Dimension	Ingress Protection	Cable Entry	Cover
QPJ-000029-000	ABS-PC	150x110x70	IP67	Knock-out	Transparent
QPJ-00002A-000	ABS-PC	150x150x70	IP67	Knock-out	Transparent
QPJ-00002B-000	ABS-PC	190x145x80	IP67	Knock-out	Transparent
QPJ-00002C-000	ABS-PC	250x200x90	IP67	Knock-out	Transparent
QPJ-00002D-000	ABS-PC	310x230x130	IP67	Knock-out	Transparent
QPJ-00002E-000	ABS-PC	150x110x140	IP67	Knock-out	Transparent
QPJ-00002F-000	ABS-PC	190x145x160	IP67	Knock-out	Transparent
QPJ-00002G-000	ABS-PC	250x200x160	IP67	Knock-out	Transparent
QPJ-00002H-000	ABS-PC	310x230x180	IP67	Knock-out	Transparent



## Surface Mounted ABS Transparent Cable Entry with Grommet

### Description

An ideal solution for outdoor and industrial applications. Constructed from high-quality ABS material, this junction box is built to withstand challenging conditions, ensuring reliable and long-lasting performance.

Featuring a transparent cover, this junction box provides easy visual inspection of the internal components without the need to open the cover. The grommet cable entry design, made of polycarbonate, allows for convenient installation of cables and conduits of various diameters without the need for specialized glands.

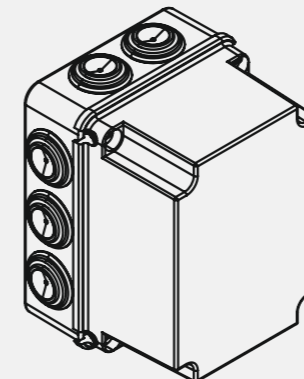
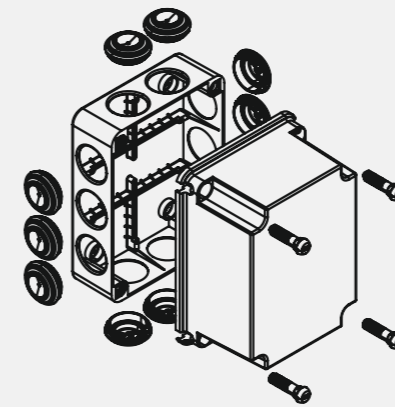
With its IP rating, this junction box is fully protected against dust and water ingress, ensuring maximum reliability in harsh environments.

#### Surface Mounted, ABS Transparent, Cable Entry with Grommet - IP54

Item Code	Raw Material	Dimension	Ingress Protection	Cable Entry	Cover
QPJ-00002I-000	ABS-PC	150x110x70	IP54	Grommet	Transparent
QPJ-00002J-000	ABS-PC	150x150x70	IP54	Grommet	Transparent

#### Surface Mounted, ABS Transparent, Cable Entry with Grommet - IP65

Item Code	Raw Material	Dimension	Ingress Protection	Cable Entry	Cover
QPJ-00002K-000	ABS-PC	150x110x70	IP65	Grommet	Transparent
QPJ-00002L-000	ABS-PC	150x150x70	IP65	Grommet	Transparent
QPJ-00002M-000	ABS-PC	190x145x80	IP65	Grommet	Transparent
QPJ-00002N-000	ABS-PC	250x200x90	IP65	Grommet	Transparent
QPJ-00002O-000	ABS-PC	310x230x130	IP65	Grommet	Transparent
QPJ-00002P-000	ABS-PC	400x480x140	IP65	Grommet	Transparent
QPJ-00002Q-000	ABS-PC	150x110x140	IP65	Grommet	Transparent
QPJ-00002R-000	ABS-PC	190x145x140	IP65	Grommet	Transparent
QPJ-00002S-000	ABS-PC	250x200x160	IP65	Grommet	Transparent
QPJ-00002T-000	ABS-PC	310x230x180	IP65	Grommet	Transparent



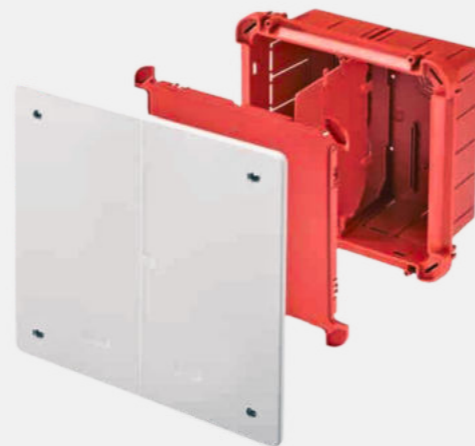
## Flush Mounted, ABS Blank Cable Entry

### Description

Made from premium ABS material, it is engineered to withstand harsh conditions and provide long-lasting performance. Its transparent cover allows for quick and easy inspection of the internal components, while the knock-out cable entry design enables convenient cable routing. With their IP rating, this junction box is fully protected against dust and water ingress, making it ideal for use in challenging settings.

**Flush Mounted, ABS Blank Cable Entry - IP40**

Item Code	Raw Material	Dimension	Ingress Protection	Cable Entry	Cover
QPJ-00002U-000	ABS	85x85x45	IP40	Blank	Opaque
QPJ-00002V-000	ABS	100x100x45	IP40	Blank	Opaque
QPJ-00002W-000	ABS	130x130x55	IP40	Blank	Opaque
QPJ-00002X-000	ABS	160x160x65	IP40	Blank	Opaque
QPJ-00002Y-000	ABS	200x200x70	IP40	Blank	Opaque
QPJ-00002Z-000	ABS	192x152x140	IP40	Blank	Opaque
QPJ-000030-000	ABS	294x152x70	IP40	Blank	Opaque
QPJ-000031-000	ABS	392x152x70	IP40	Blank	Opaque







# ENCLOSURES

## Description

Enclosures are widely used to accommodate and to protect the devices against damage risks in electrical and electronics scope as well as to provide electrically safe operation.

Totalien/Qehribar manufactures enclosures made of ABS or metal sheet for such applications in different dimensions such that quantity and dimension of accommodated devices might require. Our products are manufactured a wide range of dimensions, ingress protection (IP) rating, and typical impact resistance up to IK 10.

Our products are recommended for LV and ELV applications. Assembling of devices are also performed if required by client.

## Features

- Raw material ABS or metal sheet.
- Metal sheet enclosures are painted to protect against corrosion.
- With or without canopy for outdoor usage.
- Bottom or upper cable entry (left or right-side cable entry requires investigation and re-design accordingly).
- Electrostatic powder coating or galvanized.
- Gland plate as per cable entry location.
- Foamed door gaskets.
- Transparent front cover if required.
- Waterproof/weatherproof.
- Wall-mounted or stand alone.

## Flush Mounted ABS White / Smoked Transparent Cover and Blank Cover

### Flush Mounted, ABS, White - Smoked Transparent / IP 40

Model	Enclosure Type	Raw Material	Modules	IP Rating
QPE-000000-000	Flush	ABS	1x8	40
QPE-000001-000	Flush	ABS	1x12	40
QPE-000002-000	Flush	ABS	1x18	40
QPE-000003-000	Flush	ABS	1x24	40
QPE-000004-000	Flush	ABS	2x12	40
QPE-000005-000	Flush	ABS	3x12	40
QPE-000006-000	Flush	ABS	2x18	40
QPE-000007-000	Flush	ABS	3x18	40
QPE-000008-000	Flush	ABS	4x18	40

### Flush Mounted, ABS, White - Blank Cover / IP 40

Model	Enclosure Type	Raw Material	Modules	IP Rating
QPE-000009-000	Flush	ABS	1x8	40
QPE-00000A-000	Flush	ABS	1x12	40
QPE-00000B-000	Flush	ABS	1x18	40
QPE-00000C-000	Flush	ABS	1x24	40
QPE-00000D-000	Flush	ABS	2x12	40
QPE-00000E-000	Flush	ABS	3x12	40
QPE-00000F-000	Flush	ABS	2x18	40
QPE-00000G-000	Flush	ABS	3x18	40
QPE-00000H-000	Flush	ABS	4x18	40

### Flush Mounted, ABS, Toner Black – Smoked Transparent / IP 40

Model	Enclosure Type	Raw Material	Modules	IP Rating
QPE-000001-000	Flush	ABS	1x8	40
QPE-00000J-000	Flush	ABS	1x12	40
QPE-00000K-000	Flush	ABS	1x18	40
QPE-00000L-000	Flush	ABS	2x12	40
QPE-00000M-000	Flush	ABS	3x12	40
QPE-00000N-000	Flush	ABS	2x18	40
QPE-00000O-000	Flush	ABS	3x18	40
QPE-00000P-000	Flush	ABS	4x18	40

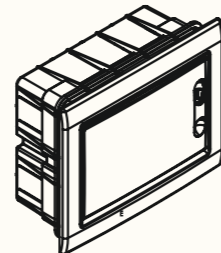
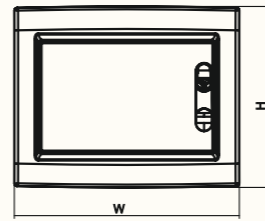
### Flush Mounted, ABS, Toner Black / Blank Cover / IP 40

Model	Enclosure Type	Raw Material	Modules	IP Rating
QPE-00000Q-000	Flush	ABS	1x8	40
QPE-00000R-000	Flush	ABS	1x12	40
QPE-00000S-000	Flush	ABS	1x18	40
QPE-00000T-000	Flush	ABS	1x24	40
QPE-00000U-000	Flush	ABS	2x12	40
QPE-00000V-000	Flush	ABS	3x12	40
QPE-00000W-000	Flush	ABS	2x18	40
QPE-00000X-000	Flush	ABS	3x18	40
QPE-00000Y-000	Flush	ABS	4x18	40

## Description

The Flush Mounted ABS Enclosures are durable, lightweight, and made of high-quality ABS plastic. With a flush-mount design and two cover options - white/smoked transparent or blank - these enclosures offer a modern and protective solution for electronic applications. Available in various sizes, these enclosures feature a snap-on cover for easy installation and maintenance, as well as a wall-mountable design for flexibility.

Ideal for use in industrial control systems, telecommunications, and electrical instrumentation, these enclosures provide protection from environmental factors to ensure the longevity of electronic equipment.



## Flush Mounted Metallic White Transparent Cover or Blank Cover

## Description

Metallic Enclosures are made from top-quality metal materials, ensuring exceptional durability and strength for your electronic equipment in harsh conditions.

The sleek flush-mounted design, along with the White Transparent Cover, allows easy identification and monitoring of your equipment's components. For solid external protection, choose the Blank Cover option.

With snap-on covers and a wall-mountable design, installation and maintenance are made easy. These enclosures are available in various sizes to accommodate different applications.

### Flush Mounted Metallic - White / Smoked Transparent Cover / IP 40

Model	Enclosure Type	Raw Material	Modules	IP Rating
QPE-00000Z-000	Flush	Metal	2x18	40
QPE-000010-000	Flush	Metal	3x18	40
QPE-000011-000	Flush	Metal	4x18	40
QPE-000012-000	Flush	Metal	4x18	40

### Flush Mounted Metallic - White / Blank Cover / IP 40

Model	Enclosure Type	Raw Material	Modules	IP Rating
QPE-000013-000	Flush	Metal	2x18	40
QPE-000014-000	Flush	Metal	3x18	40
QPE-000015-000	Flush	Metal	4x18	40



## Surface Mounted ABS White / Smoked Transparent Cover and Blank Cover

### Surface Mounted ABS - White / Smoked Transparent Cover / IP 40

Model	Enclosure Type	Raw Material	Modules	IP Rating
QPE-000016-000	Surface	ABS	1x8	40
QPE-000017-000	Surface	ABS	1x12	40
QPE-000018-000	Surface	ABS	1x24	40
QPE-000019-000	Surface	ABS	2x12	40
QPE-00001A-000	Surface	ABS	3x12	40
QPE-00001B-000	Surface	ABS	2x18	40
QPE-00001C-000	Surface	ABS	3x18	40
QPE-00001D-000	Surface	ABS	4x18	40

### Surface Mounted ABS - White / Blank Cover / IP 40

Model	Enclosure Type	Raw Material	Modules	IP Rating
QPE-00001E-000	Surface	ABS	1x8	40
QPE-00001F-000	Surface	ABS	1x12	40
QPE-00001G-000	Surface	ABS	1x24	40
QPE-00001H-000	Surface	ABS	2x12	40
QPE-00001I-000	Surface	ABS	3x12	40
QPE-00001J-000	Surface	ABS	2x18	40
QPE-00001K-000	Surface	ABS	3x18	40
QPE-00001L-000	Surface	ABS	4x18	40

### Surface Mounted ABS, Toner Black - Smoked Transparent / IP 40

Model	Enclosure Type	Raw Material	Dimensions	Modules	IP Rating
QPE-00001M-000	Surface	ABS	M	1x8	40
QPE-00001N-000	Surface	ABS	M	1x12	40
QPE-00001O-000	Surface	ABS	M	2x12	40
QPE-00001P-000	Surface	ABS	M	3x12	40
QPE-00001Q-000	Surface	ABS	M	2x18	40
QPE-00001R-000	Surface	ABS	M	3x18	40
QPE-00001S-000	Surface	ABS	M	4x18	40

### Surface Mounted ABS Toner Black / Blank Cover / IP 40

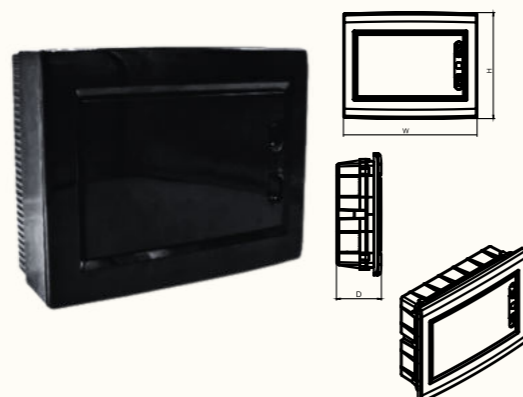
Model	Enclosure Type	Raw Material	Modules	IP Rating
QPE-00001T-000	Surface	ABS	1x8	40
QPE-00001U-000	Surface	ABS	1x12	40
QPE-00001V-000	Surface	ABS	2x12	40
QPE-00001W-000	Surface	ABS	3x12	40
QPE-00001X-000	Surface	ABS	2x18	40
QPE-00001Y-000	Surface	ABS	3x18	40
QPE-00001Z-000	Surface	ABS	4x18	40

## Description

Surface Mounted ABS enclosure, a high-quality and durable product designed for a wide range of applications. The enclosure features a sleek and modern design, with a white or smoked transparent cover or blank cover option to suit your specific needs.

Crafted from high-grade ABS material, this enclosure is resistant to corrosion and UV rays, making it an ideal choice for both indoor and outdoor use. The surface-mounted design allows for easy installation and provides a secure and stable mounting platform for your components.

The white or smoked transparent cover option provides a clear view of the components inside the enclosure, allowing for easy inspection and maintenance. Alternatively, the blank cover option offers a more discreet look, perfect for concealing your components from view.

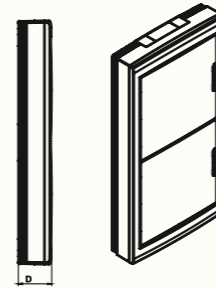
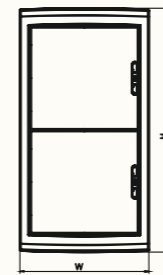


## Benefit Series, Surface Mounted PC

## Description

Surface Mounted PC enclosures are made from high-quality materials, providing durability and resistance to wear, tear, corrosion, and impact damage. With a stable and secure surface-mounted design, they provide a safe mounting platform for your components.

The Benefit Series enclosures are customizable in various sizes and cutouts and have a sleek design suitable for any environment, from industrial to residential use. These enclosures are easy to install and versatile, meeting a range of applications, including electrical controls, networking, audio/video, and security systems.



### Benefit Series, Surface Mounted PC - Soft White / Blank Cover / IP 40

Model	Enclosure Type	Raw Material	Modules	IP Rating
QPE-000020-000	Surface	PC	1x5	40
QPE-000021-000	Surface	PC	1x8	40
QPE-000022-000	Surface	PC	1x12	40
QPE-000023-000	Surface	PC	1x24	40
QPE-000024-000	Surface	PC	1x45	40

### Benefit Series, Surface Mounted PC, with Cover - Soft White / Blank Cover / IP 40

Model	Enclosure Type	Raw Material	Modules	IP Rating
QPE-00002A-000	Surface	PC	1x1	40
QPE-00002B-000	Surface	PC	1x2	40
QPE-00002C-000	Surface	PC	1x4	40
QPE-00002D-000	Surface	PC	1x8	40

### Benefit Series, Surface Mounted PC - Transparent Cover / IP 40

Model	Enclosure Type	Raw Material	Modules	IP Rating
QPE-00002E-000	Surface	PC	1x4	40
QPE-00002F-000	Surface	PC	1x4	40
QPE-00002G-000	Surface	PC	1x8	40
QPE-00002H-000	Surface	PC	1x12	40
QPE-00002I-000	Surface	PC	2x13	40
QPE-00002J-000	Surface	PC	2x14	40

## Benefit Series, Flush Mounted PC

Benefit Series, Flush Mounted, PC - Soft White / Smoked Transparent Cover / IP 40				
Model	Enclosure Type	Raw Material	Modules	IP Rating
QPE-000025-000	Flush	PC	1x2	40
QPE-000026-000	Flush	PC	1x8	40
QPE-000027-000	Flush	PC	1x12	40
QPE-000028-000	Flush	PC	1x24	40
QPE-000029-000	Flush	PC	1x36	40



### Description

A highly customizable and durable solution for protecting electrical applications. Constructed from high-quality materials, this enclosure is built to withstand the toughest environments and resist wear, tear, corrosion, and impact damage.

Designed with a sleek and modern aesthetic, the Benefit Series Flush Mounted PC Enclosure comes in a soft white or blank cover option, allowing for a discreet and professional look. The enclosure also offers various sizes and cutouts for cables and connectors, making installation quick and easy.

The flush-mounted design of this enclosure provides a secure and stable mounting platform for your components, ensuring they are protected from potential damage. It is suitable for a wide range of applications, including electrical controls and networking equipment.

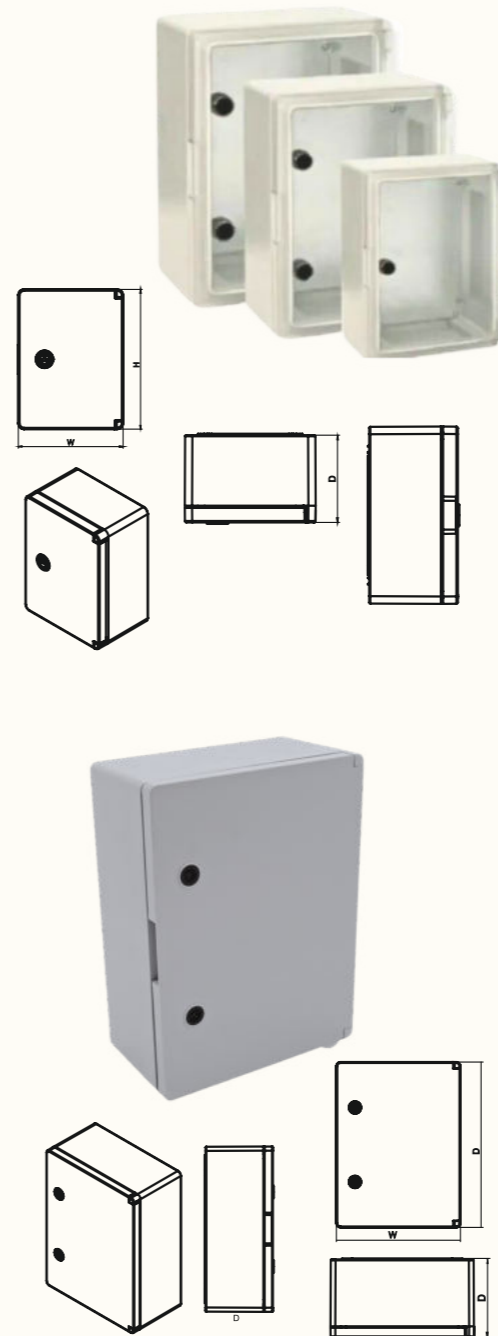


## Watertight Outdoor Distribution Board/ Smoked Transparent and Blank Door

### Description

The Watertight Outdoor Distribution Board provides secure enclosure against liquid and dust ingress for outdoor electrical installations. It comes with smoked transparent and blank door options that fit specific project designs and site conditions.

Canopy or roof type models are recommended for heavy rain or snow areas while plinth (base) is provided for areas with flood risk. The board is crafted from high-grade materials, highly resistant to environmental factors, and comes in various sizes and cutouts, making it easy to install and transport for a wide range of applications.



Watertight Outdoor Distribution Board / Blank Door / IP65				
Model	Enclosure Type	Raw Material	Dimension	IP Rating
QPE-00002K-000	Outdoor	ABS	180x240x120	65
QPE-00002L-000	Outdoor	ABS	210x280x130	65
QPE-00002M-000	Outdoor	ABS	250x300x140	65
QPE-00002N-000	Outdoor	ABS	250x330x130	65
QPE-00002O-000	Outdoor	ABS	250x350x150	65
QPE-00002P-000	Outdoor	ABS	300x350x165	65
QPE-00002Q-000	Outdoor	ABS	300x400x165	65
QPE-00002R-000	Outdoor	ABS	300x400x195	65
QPE-00002S-000	Outdoor	ABS	350x500x195	65
QPE-00002T-000	Outdoor	ABS	400x500x175	65
QPE-00002U-000	Outdoor	ABS	400x500x245	65
QPE-00002V-000	Outdoor	ABS	400x600x200	65
QPE-00002W-000	Outdoor	ABS	500x700x245	65
QPE-00002X-000	Outdoor	ABS	500x700x245	65
QPE-00002Y-000	Outdoor	ABS	500x600x210	65
QPE-00002Z-000	Outdoor	ABS	600x800x260	65
QPE-000030-000	Outdoor	ABS	750x1000x300	65

Watertight Outdoor Distribution Board / Smoked Transparent Door / IP65				
Model	Enclosure Type	Raw Material	Dimension	IP Rating
QPE-000031-000	Outdoor	ABS	180x240x120	65
QPE-000032-000	Outdoor	ABS	210x280x130	65
QPE-000033-000	Outdoor	ABS	250x300x140	65
QPE-000034-000	Outdoor	ABS	250x330x130	65
QPE-000035-000	Outdoor	ABS	250x350x150	65
QPE-000036-000	Outdoor	ABS	300x350x165	65
QPE-000037-000	Outdoor	ABS	300x400x165	65
QPE-000038-000	Outdoor	ABS	300x400x195	65
QPE-000039-000	Outdoor	ABS	350x500x195	65
QPE-00003A-000	Outdoor	ABS	400x500x175	65
QPE-00003B-000	Outdoor	ABS	400x500x245	65
QPE-00003C-000	Outdoor	ABS	400x600x200	65
QPE-00003D-000	Outdoor	ABS	500x700x245	65
QPE-00003E-000	Outdoor	ABS	500x700x245	65
QPE-00003F-000	Outdoor	ABS	500x600x220	65
QPE-00003G-000	Outdoor	ABS	600x800x260	65

## Watertight Outdoor Distribution Board with Roof Blank and Transparent Door

**Watertight Outdoor Distribution Board with Roof Blank Door / IP65**

Model	Enclosure Type	Raw Material	Dimension	IP Rating
QPE-00003H-000	Outdoor	ABS	300x400x165	65
QPE-00003I-000	Outdoor	ABS	400x500x175	65
QPE-00003J-000	Outdoor	ABS	400x600x200	65
QPE-00003K-000	Outdoor	ABS	500x700x245	65
QPE-00003L-000	Outdoor	ABS	350x500x195	65
QPE-00003M-000	Outdoor	ABS	500x600x220	65
QPE-00003N-000	Outdoor	ABS	600x800x260	65
QPE-00003O-000	Outdoor	ABS	750x1000x300	65

**Watertight Outdoor Distribution Board with Roof Transparent Door / IP65**

Model	Enclosure Type	Raw Material	Dimension	IP Rating
QPE-00003P-000	Outdoor	ABS	300x400x165	65
QPE-00003Q-000	Outdoor	ABS	400x500x175	65
QPE-00003R-000	Outdoor	ABS	400x600x200	65
QPE-00003S-000	Outdoor	ABS	500x700x245	65
QPE-00003T-000	Outdoor	ABS	350x500x195	65
QPE-00003U-000	Outdoor	ABS	500x600x220	65
QPE-00003V-000	Outdoor	ABS	600x800x260	65

**Watertight Outdoor Distribution Board with Roof and Plinth Blank Door / IP65**

Model	Enclosure Type	Raw Material	Modules	IP Rating
QPE-00003W-000	Outdoor	ABS	300x400x165	65
QPE-00003X-000	Outdoor	ABS	400x500x175	65
QPE-00003Y-000	Outdoor	ABS	400x600x200	65
QPE-00003Z-000	Outdoor	ABS	500x700x245	65
QPE-000040-000	Outdoor	ABS	600x800x260	65
QPE-000041-000	Outdoor	ABS	750x1000x300	65

### Description

This durable distribution board is made to withstand tough outdoor conditions, protecting against water and dust infiltration. The watertight enclosure ensures reliable operation and longevity of internal components, making it ideal for outdoor use.

It has a roof for added protection against rain and sunlight and a transparent door for easy access and monitoring of wiring and circuits. The secure locking mechanism prevents unauthorized access, and its high-quality construction ensures effective performance, stability, and durability for years to come.



## Watertight Outdoor Distribution Board with DIN Rail Blank and Transparent Door

### Description

Our durable and robust outdoor distribution board provides optimal protection against water and dust, ensuring reliable operation and increased longevity.

It features a secure DIN rail mounting system for internal components, a watertight enclosure, and a blank and transparent door for easy access and monitoring. With a reliable locking mechanism and innovative design, this distribution board delivers superior performance, stability, and durability for long-term use.



**Watertight Outdoor Distribution Board with DIN Rail Blank Door / IP65**

Model	Enclosure Type	Raw Material	Dimension	Modules	IP Rating
QPE-000042-000	Outdoor	ABS	210x280x130	1x8	65
QPE-000043-000	Outdoor	ABS	250x330x130	2x9	65
QPE-000044-000	Outdoor	ABS	300x400x165	2x12	65
QPE-000045-000	Outdoor	ABS	400x500x175	3x17	65
QPE-000046-000	Outdoor	ABS	400x600x200	4x17	65
QPE-000047-000	Outdoor	ABS	500x700x245	4x22	65
QPE-000048-000	Outdoor	ABS	350x500x195	3x15	65
QPE-000049-000	Outdoor	ABS	500x600x220	3x22	65
QPE-00004A-000	Outdoor	ABS	600x800x260	4x25	65

**Watertight Outdoor Distribution Board with DIN Rail Transparent Door / IP65**

Model	Enclosure Type	Raw Material	Dimension	Modules	IP Rating
QPE-00004B-000	Outdoor	ABS	210x280x130	1x8	65
QPE-00004C-000	Outdoor	ABS	250x330x130	2x9	65
QPE-00004D-000	Outdoor	ABS	300x400x165	2x12	65
QPE-00004E-000	Outdoor	ABS	400x500x175	3x17	65
QPE-00004F-000	Outdoor	ABS	400x600x200	4x17	65
QPE-00004G-000	Outdoor	ABS	500x700x245	4x22	65
QPE-00004H-000	Outdoor	ABS	350x500x195	3x15	65
QPE-00004I-000	Outdoor	ABS	500x600x220	3x22	65
QPE-00004J-000	Outdoor	ABS	600x800x260	4x25	65

## Watertight Utility Board/ General Purpose, Construction Site and Monophase/ Three-phase Metering

**Watertight Outdoor Utility Board , General Purpose / IP65**

Model	Enclosure Type	Raw Material	Dimension	Modules	IP Rating
QPE-00004K-000	Outdoor	ABS	250x330x130	D	65
QPE-00004L-000	Outdoor	ABS	300x400x165	D	65
QPE-00004M-000	Outdoor	ABS	400x500x175	D	65
QPE-00004N-000	Outdoor	ABS	400x600x200	D	65
QPE-00004O-000	Outdoor	ABS	250x330x130	D	65
QPE-00004P-000	Outdoor	ABS	300x400x165	D	65
QPE-00004Q-000	Outdoor	ABS	400x500x175	D	65
QPE-00004R-000	Outdoor	ABS	400x600x200	D	65

**Watertight Utility Board for Construction Site / IP65**

Model	Enclosure Type	Raw Material	Dimension	IP Rating
QPE-00004S-000	Outdoor	ABS	400x600x200	65
QPE-00004T-000	Outdoor	ABS	400x600x200	65
QPE-00004U-000	Outdoor	ABS	500x700x245	65
QPE-00004V-000	Outdoor	ABS	500x700x245	65

**Watertight Utility Board for Monophase Metering / IP65**

Model	Enclosure Type	Raw Material	Dimension	IP Rating
QPE-00004W-000	Outdoor	ABS	170x350x100	65
QPE-00004X-000	Outdoor	ABS	170x350x140	65
QPE-00004Y-000	Outdoor	ABS	170x350x100	65
QPE-00004Z-000	Outdoor	ABS	170x350x140	65

**Watertight Utility Board for Monophase Metering / IP65**

Model	Enclosure Type	Raw Material	Dimension	IP Rating
QPE-000050-000	Outdoor	ABS	240x460x132	65
QPE-000051-000	Outdoor	ABS	240x460x132	65

### Description

Our Watertight Utility Board is a versatile and high-quality solution designed for various applications, including general-purpose, construction site, and monophase/three-phase metering.

This utility board features a durable and robust construction, providing optimal protection against water and dust infiltration and ensuring superior performance and stability in demanding outdoor environments.

With flexible design options, the Watertight Utility Board can be customized to meet specific requirements, providing reliable operation, longevity, and safety and security with its reliable locking mechanism.

Whether for general-purpose applications, construction sites, or monophase/three-phase metering, the Watertight Utility Board is the perfect choice, delivering a comprehensive solution that combines functionality, durability, and versatility in a single package.



## Industrial Utility Board - Plain

**Industrial Utility Board - Plain / IP54 and IP65**

Model	Enclosure Type	Raw Material	Dimension	IP Rating	
QPE-000052-000	Outdoor	ABS	130x240x105	6	54
QPE-000053-000	Outdoor	ABS	230x300x115	11	54
QPE-000054-000	Outdoor	ABS	230x360x115	12	65
QPE-000055-000	Outdoor	ABS	130x240x100	6	54
QPE-000056-000	Outdoor	ABS	180x360x115	6	54
QPE-000057-000	Outdoor	ABS	230x300x115	11	54
QPE-000058-000	Outdoor	ABS	130x350x105	6	54
QPE-000059-000	Outdoor	ABS	130x460x105	6	54
QPE-00005A-000	Outdoor	ABS	330x500x155	16	65
QPE-00005B-000	Outdoor	ABS	330x330x155	16	65
QPE-00005C-000	Outdoor	ABS	330x685x155	32	65

### Description

The Industrial Utility Board is a high-quality and versatile solution designed specifically for industrial environments. Its plain design allows for flexibility and customizability to meet specific requirements, making it ideal for a wide range of industrial applications.

With superior construction and reliable performance, this board provides optimal protection against water, dust, and other environmental factors, ensuring safe and secure operation in harsh conditions. Its locking mechanism enhances safety and security, preventing unauthorized access to internal components.



# CABLE GLAND

## Description

Cable glands are an important part of many electrical setups. They are used to attach and fasten the ends of cables to equipment or surfaces, providing the cable with protection, strain relief, and grounding. Cable glands are available in a number of materials, including plastic, metal, and stainless steel, and are available in a variety of diameters to suit various cable types and sizes.

Cable glands' principal role is to establish a secure and stable connection between cables and equipments surfaces.

Cable glands are intended to form a barrier between the cable and the equipment, preventing moisture, dust, and other external elements from entering and harming the equipment. Certain cable glands are also engineered to be explosion-proof, which is useful in situations where combustible gases or vapors provide a risk of explosion.



**METAL  
CABLE GLAND  
(STAINLESS STEEL)**



**POLYAMIDE  
CABLE GLAND**



**OVER SIZE METAL (BRASS)  
CABLE GLAND**



## Polyamide Gland / PC and Metric Size

**Polyamide Gland (PG Size) / IP65**

Model	Gland Thread Size	Raw Material	Max. Cable Diameter (mm)	Min. Cable Diameter (mm)	Length (mm)
QPC-000008-000	PG7	Polyamide	3.0	6.5	22
QPC-000009-000	PG9	Polyamide	4.0	8.0	25
QPC-00000A-000	PG11	Polyamide	5.0	10.0	28
QPC-00000B-000	PG13,5	Polyamide	6.0	12.0	29
QPC-00000C-000	PG16	Polyamide	10.0	14.0	31
QPC-00000D-000	PG21	Polyamide	13.0	18.0	35
QPC-00000E-000	PG29	Polyamide	18.0	25.0	40
QPC-00000F-000	PG36	Polyamide	22.0	32.0	49
QPC-00000G-000	PG42	Polyamide	30.0	38.0	49
QPC-00000H-000	PG48	Polyamide	34.0	44.0	49

**Polyamide Gland (Metric Size) / IP68**

Model	Gland Thread Size	Raw Material	Max. Cable Diameter (mm)	Min. Cable Diameter (mm)	Length (mm)
QPC-000000-000	M12x1.5	Polyamide	3.0	6.5	22
QPC-000001-000	M16x1.5	Polyamide	5.0	10.0	28
QPC-000002-000	M20x1.5	Polyamide	6.0	12.0	29
QPC-000003-000	M25x1.5	Polyamide	13.0	18.0	35
QPC-000004-000	M32x1.5	Polyamide	18.0	25.0	40
QPC-000005-000	M40x1.5	Polyamide	22.0	32.0	49
QPC-000006-000	M50x1.5	Polyamide	30.0	38.0	49
QPC-000007-000	M63x1.5	Polyamide	34.0	44.0	49

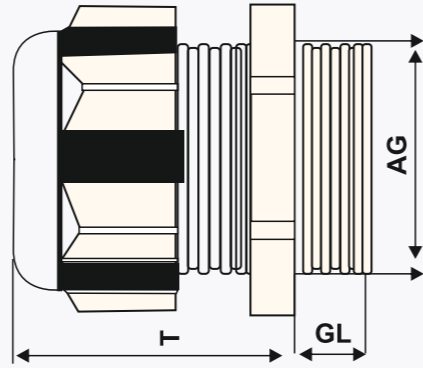


### Description

Polyamide glands are cable glands constructed of a tough, impact-resistant thermoplastic polymer. These glands come in two sizing standards: PG and metric, with PG glands called after the standardizing technique used to define their sizes.

Polyamide glands are widely used in electrical systems due to their resilience to external elements including dust and moisture, as well as their lightweight and ease of installation. These glands are widely utilized in a variety of sectors, including automotive, aerospace, marine, and residential and commercial building.

They are a flexible cable management solution that provides a safe and stable connection between cables and equipment or surfaces, as well as environmental protection and strain relief.

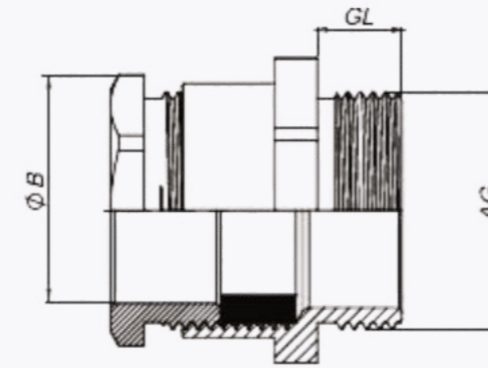


### Description

Brass cable glands are ideal for industrial and commercial applications, providing strength, durability, and resistance to environmental factors.

Threaded connections are based on diameter and available in two lengths: standard and long. Standard thread is for thin-walled enclosures while long thread is for thick-walled enclosures.

They are effective for outdoor installations, easy to install and remove, and offer strain relief and protection against environmental factors, prolonging the cable lifespan.



## Metallic(Brass) Cable Gland(Metric Size) / Standard & Long Thread

**Metallic(Brass) Cable Gland(Metric Size) - Standard Thread//P68**

Model	Gland Thread Size	Raw Material	Max. Cable Diameter (mm)	Min. Cable Diameter (mm)	Length (mm)
QPC-00000I-000	M12x1.5	Brass	3.0	6.5	21.5
QPC-00000J-000	M16x1.5	Brass	4.0	8.0	23.0
QPC-00000K-000	M16x1.5	Brass	4.5	10.0	24.0
QPC-00000L-000	M20x1.5	Brass	6.0	12.0	24.3
QPC-00000M-000	M25x1.5	Brass	10.0	14.0	27.6
QPC-00000N-000	M25x1.5	Brass	12.0	18.0	29.5
QPC-00000O-000	M32x1.5	Brass	13.0	18.0	31.2
QPC-00000P-000	M32x1.5	Brass	17.0	24.0	35.9
QPC-00000Q-000	M40x1.5	Brass	18.0	25.0	38.5
QPC-00000R-000	M40x1.5	Brass	22.0	32.0	42.0
QPC-00000S-000	M50x1.5	Brass	22.0	32.0	47.3
QPC-00000T-000	M50x1.5	Brass	29.0	40.0	49.0
QPC-00000U-000	M63x1.5	Brass	34.0	44.0	50.3
QPC-00000V-000	M63x1.5	Brass	37.0	53.0	54.0

**Metallic(Brass) Cable Gland(Metric Size) - Long Thread//P68**

Model	Gland Thread Size	Raw Material	Max. Cable Diameter (mm)	Min. Cable Diameter (mm)	Length (mm)
QPC-00000W-000	M12x1.5	Brass	3.0	6.5	21.5
QPC-00000X-000	M16x1.5	Brass	4.0	8.0	23.0
QPC-00000Y-000	M20x1.5	Brass	6.0	12.0	24.3
QPC-00000Z-000	M25x1.5	Brass	10.0	14.0	27.6
QPC-000010-000	M32x1.5	Brass	13.0	18.0	31.2
QPC-000011-000	M40x1.5	Brass	18.0	25.0	38.5
QPC-000012-000	M50x1.5	Brass	22.0	32.0	47.3
QPC-000013-000	M63x1.5	Brass	34.0	44.0	50.3



## Metallic (Brass) Cable Gland (PG Size)/ Standard & Long Thread

**Metallic (Brass) Cable Gland (PG Size) – Standard Thread / IP68**

Model	Gland Thread Size	Raw Material	Max. Cable Diameter (mm)	Min. Cable Diameter (mm)	Length (mm)
QPC-000014-000	PG7	Brass	3.0	6.5	21.8
QPC-000015-000	PG9	Brass	4.0	8.0	22.6
QPC-000016-000	PG11	Brass	5.0	10.0	25.3
QPC-000017-000	PG13,5	Brass	6.0	12.0	24.1
QPC-000018-000	PG16	Brass	10.0	14.0	27.5
QPC-000019-000	PG21	Brass	13.0	18.0	31.2
QPC-00001A-000	PG29	Brass	18.0	25.0	39.3
QPC-00001B-000	PG36	Brass	22.0	32.0	47.2
QPC-00001C-000	PG42	Brass	30.0	38.0	47.7
QPC-00001D-000	PG48	Brass	34.0	44.0	52.0

**Metallic (Brass) Cable Gland (PG Size) – Standard Thread / IP68**

Model	Gland Thread Size	Raw Material	Max. Cable Diameter (mm)	Min. Cable Diameter (mm)	Length (mm)
QPC-00001E-000	PG7	Brass	3.0	6.5	21.8
QPC-00001F-000	PG9	Brass	4.0	8.0	22.6
QPC-00001G-000	PG11	Brass	5.0	10.0	25.3
QPC-00001H-000	PG13,5	Brass	6.0	12.0	24.1
QPC-00001I-000	PG16	Brass	10.0	14.0	27.5
QPC-00001J-000	PG21	Brass	13.0	18.0	31.2
QPC-00001K-000	PG29	Brass	18.0	25.0	39.3
QPC-00001L-000	PG36	Brass	22.0	32.0	47.2
QPC-00001M-000	PG42	Brass	30.0	38.0	47.7
QPC-00001N-000	PG48	Brass	34.0	44.0	52.0

### Description

The Metallic (Brass) Cable Gland is a long-lasting and dependable component used to hold and protect cables in severe industrial settings.

It is available in two thread lengths, Standard and Long, to accommodate a variety of installation requirements. Its metallic finish and small form make it useful as well as visually appealing, and it is simple to install, maintain, and replace as needed.



## Metallic (Stainless Steel) Cable Gland (Metric Size) and (PG Size)

### Description

The Metallic (Stainless Steel) Cable Gland is a long-lasting and corrosion-resistant component that is used to hold and protect cables in industrial and commercial settings.

It is available in two sizing models: metric and PG, and it can accommodate a variety of cable diameters. Its tough construction makes it suited for use in a variety of critical sectors, including as oil & gas, mining, maritime, and manufacturing. Its long-lasting performance is ensured by its resilience and resistance to external variables, avoiding the need for regular replacements or repairs.



**Metallic (Stainless Steel) Cable Gland (Metric Size) / IP68**

Model	Gland Thread Size	Raw Material	Max. Cable Diameter (mm)	Min. Cable Diameter (mm)	Length (mm)
QPC-00001U-000	M12x1.5	S.Steel	3.0	6.5	22.0
QPC-00001V-000	M16x1.5	S.Steel	4.0	8.0	23.0
QPC-00001W-000	M20x1.5	S.Steel	4.0	10.0	26.0
QPC-00001X-000	M25x1.5	S.Steel	10.0	14.0	28.0
QPC-00001Y-000	M32x1.5	S.Steel	13.0	18.0	31.5
QPC-00001Z-000	M40x1.5	S.Steel	18.0	25.0	38.0
QPC-000020-000	M50x1.5	S.Steel	22.0	32.0	43.0
QPC-000021-000	M63x1.5	S.Steel	33.0	44.0	48.0

**Metallic (Stainless Steel) Cable Gland (PG Size) / IP68**

Model	Gland Thread Size	Raw Material	Max. Cable Diameter (mm)	Min. Cable Diameter (mm)	Length (mm)
QPC-000022-000	PG7	S.Steel	3.0	6.5	22.0
QPC-000023-000	PG9	S.Steel	4.0	8.0	23.0
QPC-000024-000	PG11	S.Steel	5.0	10.0	24.5
QPC-000025-000	PG13,5	S.Steel	6.0	12.0	26.5
QPC-000026-000	PG16	S.Steel	10.0	14.0	28.0
QPC-000027-000	PG21	S.Steel	13.0	18.0	31.5
QPC-000028-000	PG29	S.Steel	18.0	25.0	38.0
QPC-000029-000	PG36	S.Steel	22.0	32.0	43.0
QPC-00002A-000	PG42	S.Steel	30.0	38.0	47.0
QPC-00002B-000	PG48	S.Steel	33.0	44.0	48.0

## Oversize Metallic (Brass) Cable Gland (Metric Size)

**Metallic (Stainless Steel) Cable Gland (Metric Size) / IP68**

Model	Gland Thread Size	Raw Material	Max. Cable Diameter (mm)	Min. Cable Diameter (mm)	Length (mm)
QPC-00002T-000	M72x2	Brass	56.0	61.0	41.0
QPC-00002U-000	M75x2	Brass	56.0	61.0	41.0
QPC-00002V-000	M80x2	Brass	60.0	66.0	50.0
QPC-00002W-000	M85x2	Brass	63.0	72.0	52.0
QPC-00002X-000	M90x2	Brass	68.0	76.0	52.0
QPC-00002Y-000	M110x2	Brass	75.0	82.0	72.0



### Description

The Oversize Metallic (Brass) Cable Gland is a long-lasting and corrosion-resistant component used to secure and protect larger cables in industrial and commercial settings.

Its larger metric thread size enables greater wire widths, ensuring a snug connection and protection against damage. Its adaptable cable gland is appropriate for a wide range of applications, including maritime, manufacturing, and renewable energy sectors, and its strong construction provides long-lasting performance with fewer replacements or repairs required.

## Armored Metallic (Brass) Cable Gland (Metric Size)

**Armored Metallic (Brass) Cable Gland (Metric Size) / IP55**

Model	Gland Thread Size	Raw Material	Max. Cable Diameter (mm)	Length (mm)
QPC-00002C-000	M16x1.5	Brass	6.1	13.2
QPC-00002D-000	M20Sx1.5	Brass	6.1	13.2
QPC-00002E-000	M20Sx1.5	Brass	11.0	15.0
QPC-00002F-000	M20Lx1.5	Brass	15.0	20.0
QPC-00002G-000	M25Sx1.5	Brass	18.0	24.0
QPC-00002H-000	M25Lx1.5	Brass	20.0	27.0
QPC-00002I-000	M32Lx1.5	Brass	26.0	33.0
QPC-00002J-000	M40Sx1.5	Brass	31.5	39.5
QPC-00002K-000	M40Lx1.5	Brass	32.0	40.0
QPC-00002L-000	M50Sx1.5	Brass	38.0	46.0
QPC-00002M-000	M50Lx1.5	Brass	44.0	53.0
QPC-00002N-000	M63Sx1.5	Brass	50.0	59.0
QPC-00002O-000	M63Lx1.5	Brass	58.0	65.0
QPC-00002P-000	M73Sx1.5	Brass	62.0	71.0
QPC-00002Q-000	M73Lx1.5	Brass	68.0	78.0
QPC-00002R-000	M90Lx1.5	Brass	80.0	91.0
QPC-00002S-000	M100Lx1.5	Brass	86.0	99.0

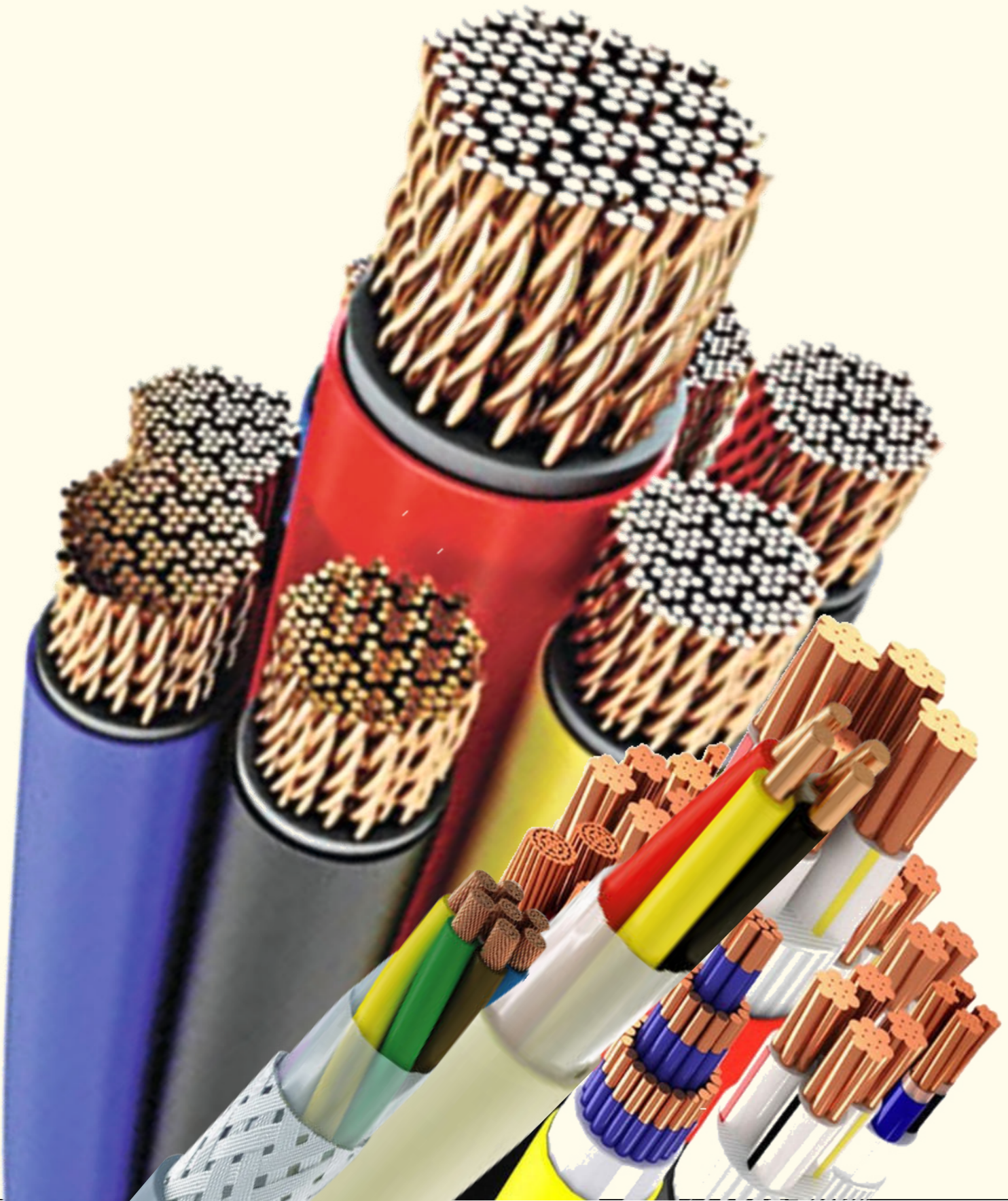
### Description

The Armored Metallic (Brass) Cable Gland is a premium component that protects armored cables in industrial and commercial settings. This cable gland is made of sturdy and corrosion-resistant brass material and is intended to withstand extreme conditions and handle a variety of armored cable sizes.

It is extremely adaptable and may be utilized in a variety of situations where armored cables are required for additional protection against threats. Its robust and long-lasting construction eliminates the chance of cable damage or failure and assures long-term performance, making it a perfect choice for a wide range of applications in many sectors.



# CABLE GRAB



## About

The Cable Grab is a tool to grab the cables or cylindrical shaped materials during laying through duct, cable trays surface or trench. Cable Grab is mostly preferred due to the shorter time required for fixing or removing effort for manpower optimization. Since cable laying activity is performed mostly with many workers/electricians/experts hence it is required to speed up sub-processes of complete laying activity to utilize the team efficiency and prevent loss of time.

Typical conventional cable-socks and cable-eye assumed to be replaced by Cable Grab in most of the site situations because of manpower optimization.

Expected installation of Cable Grab is 90-120 seconds while the competitors reach up to 30+ minutes approximately. User is recommended also to choose proper Cable Grab for the cable(s) to be laid. The Totalien Company holds the design and patent rights for Cable Grab, a cable management solution that has been developed to optimize wiring

## Features

- Provides practical use, easy fixing, and removal.
- Short installation/removal duration.
- Remove/install in limited space due to small dimension.
- Heat and flame/fire resistant. High tensile strength and corrosion resistant.
- Equal pulling force to the cable (not only to outer sheath).
- Multiple cables laying at one trial.
- Excellent thermal and good chemical resistance, dimensional stability.
- Provides the opportunity to use many times, it has a long lifetime.
- It does not cause any damage to the outer sheath of the cable or cable configuration.
- Additional feature of Cable Grab, it can be used as a mandrel.



**CIRCULAR  
CABLE  
GRAB 3D DESIGN**



**CABLE GRAB  
WHILE IN USE AND CIRCULAR  
CABLE GLAND**



a totalien brand

# Qehribar



**TOTALIEN ENDUSTRIYEL URUNLER SAN. TIC. LTD. STI.**

Maltepe Sb Mahallesi Sarmaşık Sok.  
İzmir Menemen  
Deri Serbest Bölgesi Sitesi  
No: 8 Menemen / İZMİR  
Phone: +90 216 306 40 44



[www.qehribar.com](http://www.qehribar.com)



[sales@qehribar.com](mailto:sales@qehribar.com)